

*Extrusions  
Applications*  
GUIDE



# CONTENTS

## EXTRUDED TRIM

Base/Head Extrusion. . . . . 2

2 Piece Jamb Extrusion. . . . . 3

2 Piece Outside Corner Extrusion. . . . . 4

2 Piece Inside Corner Extrusion. . . . . 5

Stack Joint Extrusion. . . . . 6

Coping Cap Extrusion. . . . . 7

2 Piece "H" Extrusion. . . . . 8

Note: Standard Stock Lengths are 20' - 0".

Wiper Gasket and Lap Strips are Separate Components.

## VERTICAL APPLICATION DETAILS

Base Detail. . . . . 9

Door/Window Jamb Detail. . . . . 10

Door/Window Head Detail. . . . . 11

2 Piece Outside Corner Detail. . . . . 12

2 Piece Inside Corner Detail. . . . . 13

Stack Joint Detail. . . . . 14

Parapet Detail. . . . . 15

Expansion Joint Detail. . . . . 16

## HORIZONTAL APPLICATION DETAILS

Panel Joint Detail. . . . . 17

Base Detail. . . . . 18

Butt Joint Detail. . . . . 19

End Wall Detail. . . . . 20

Header Detail. . . . . 21

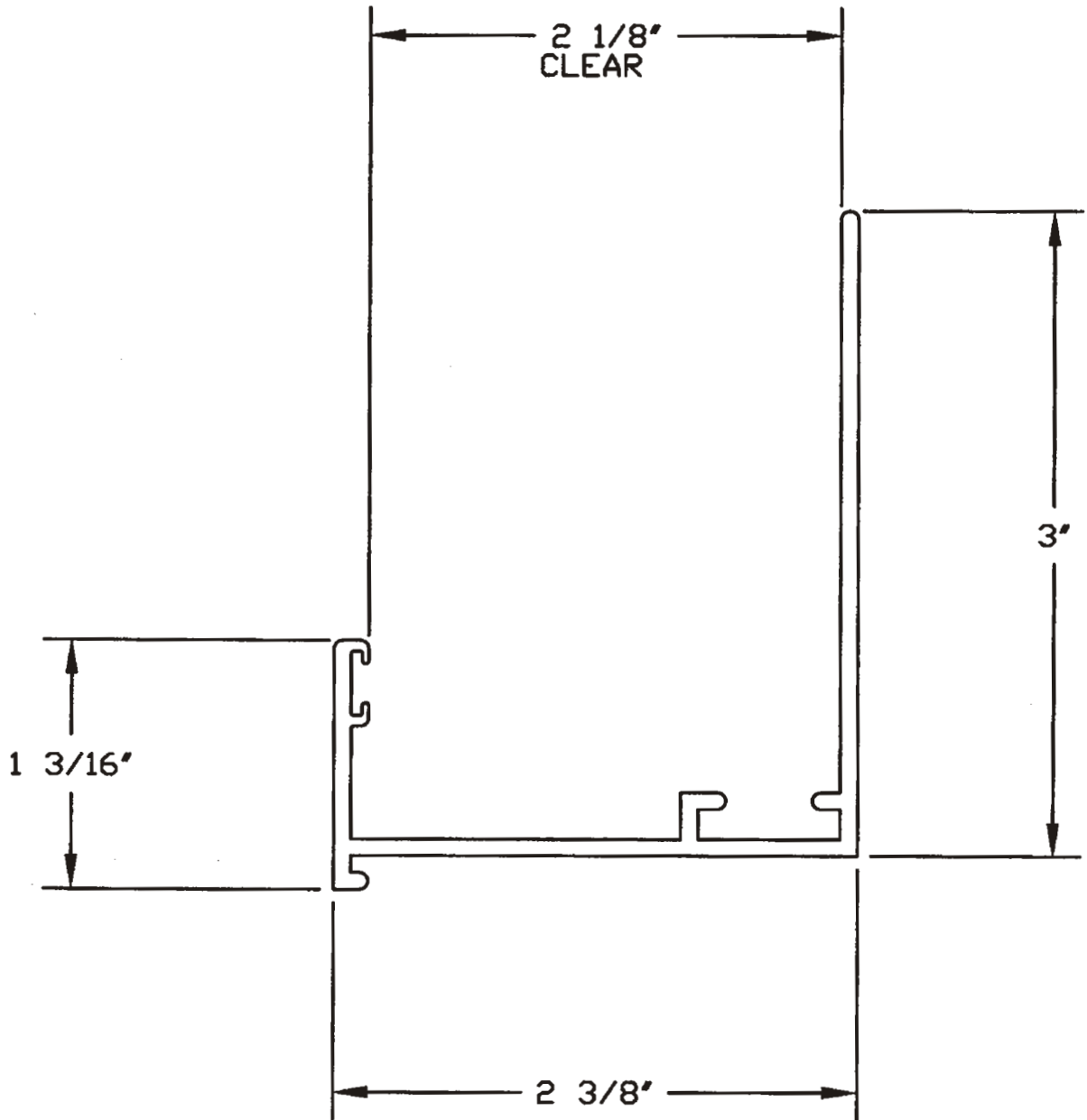
2 Piece Outside Corner Detail. . . . . 22

2 Piece Inside Corner Detail. . . . . 23

**BASE EXTRUSION**

6063-T5 ALUMINUM

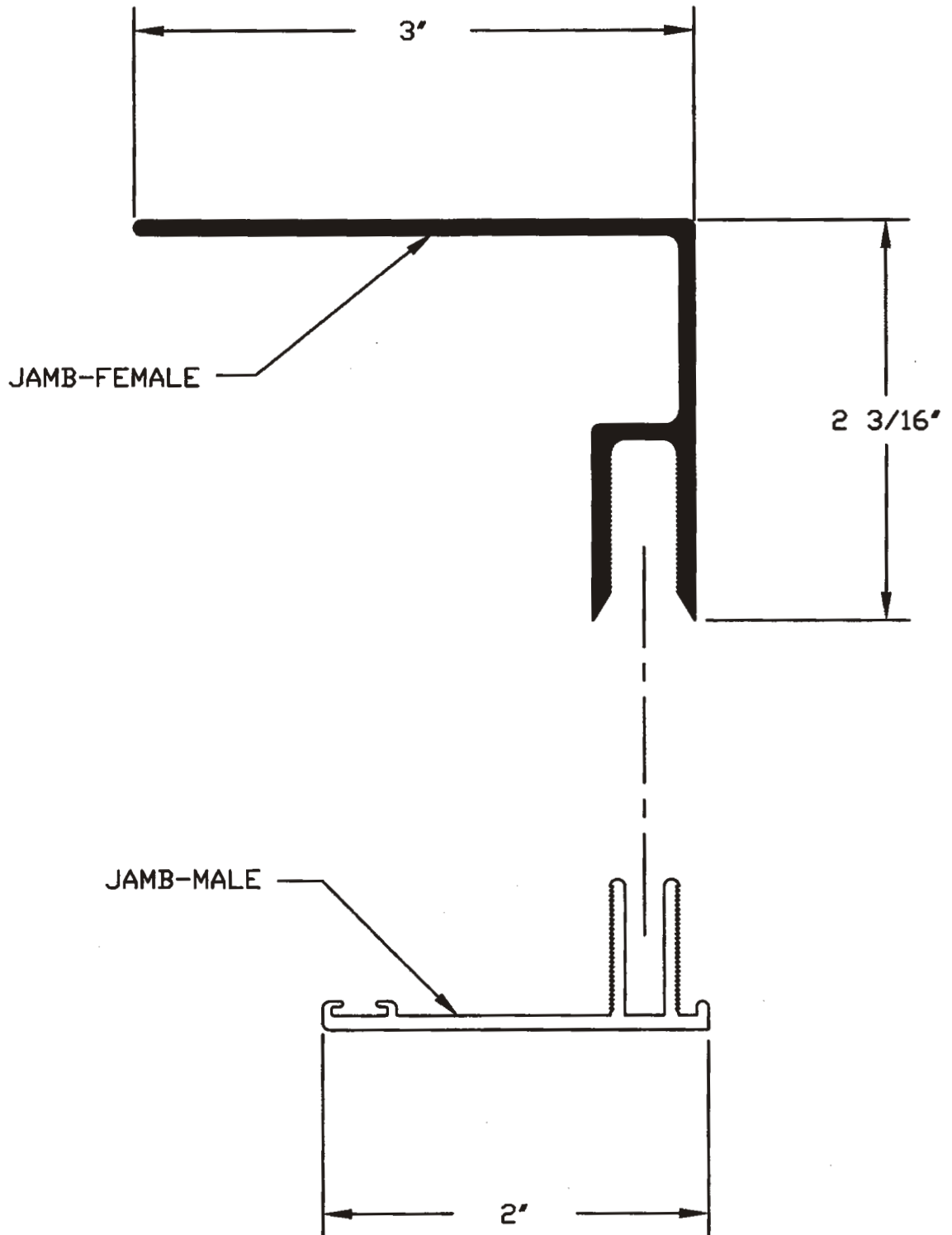
.078 WALL THICKNES



# JAMB EXTRUSIONS

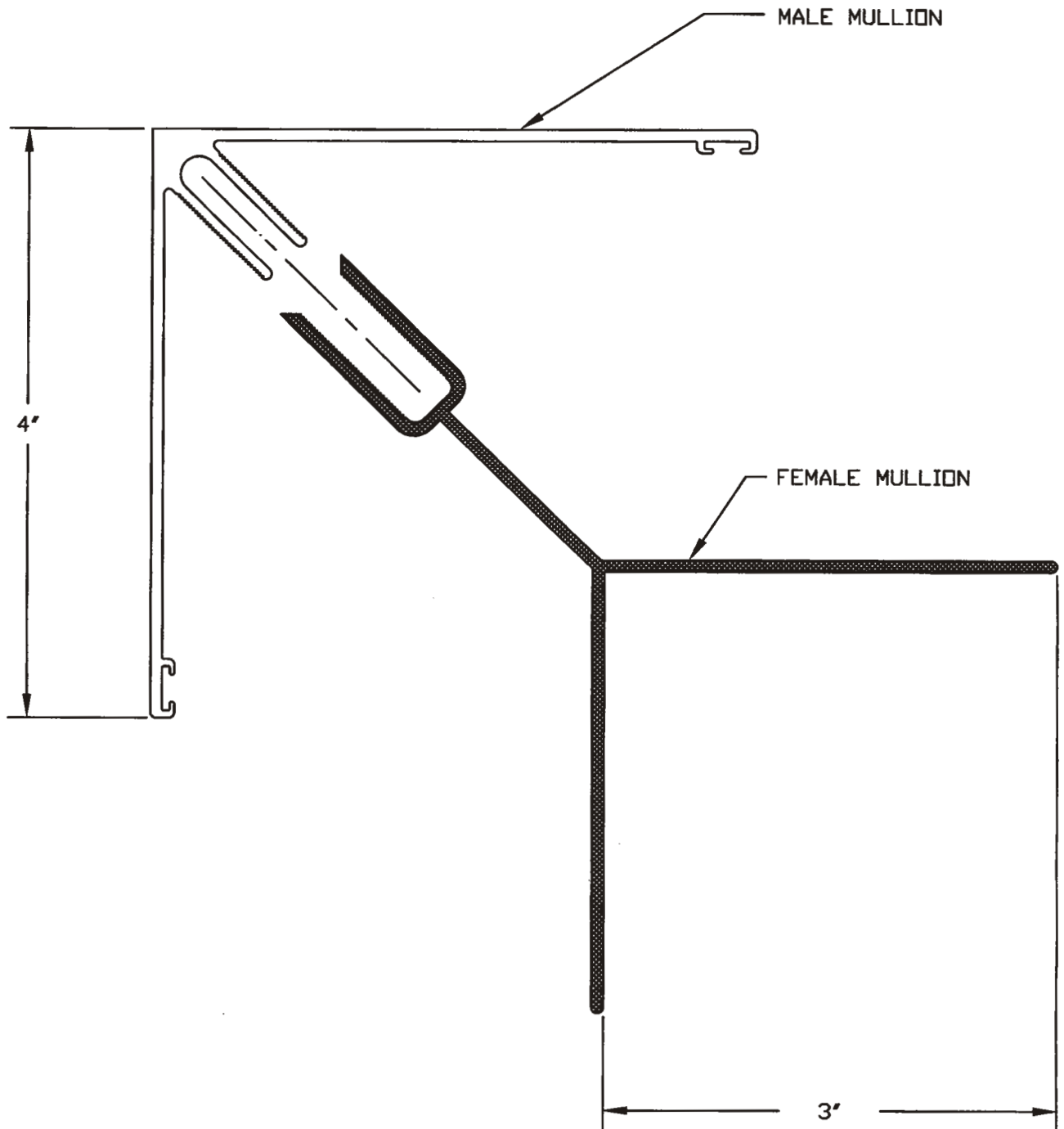
6063-T5 ALUMINUM

.078 WALL THICKNES



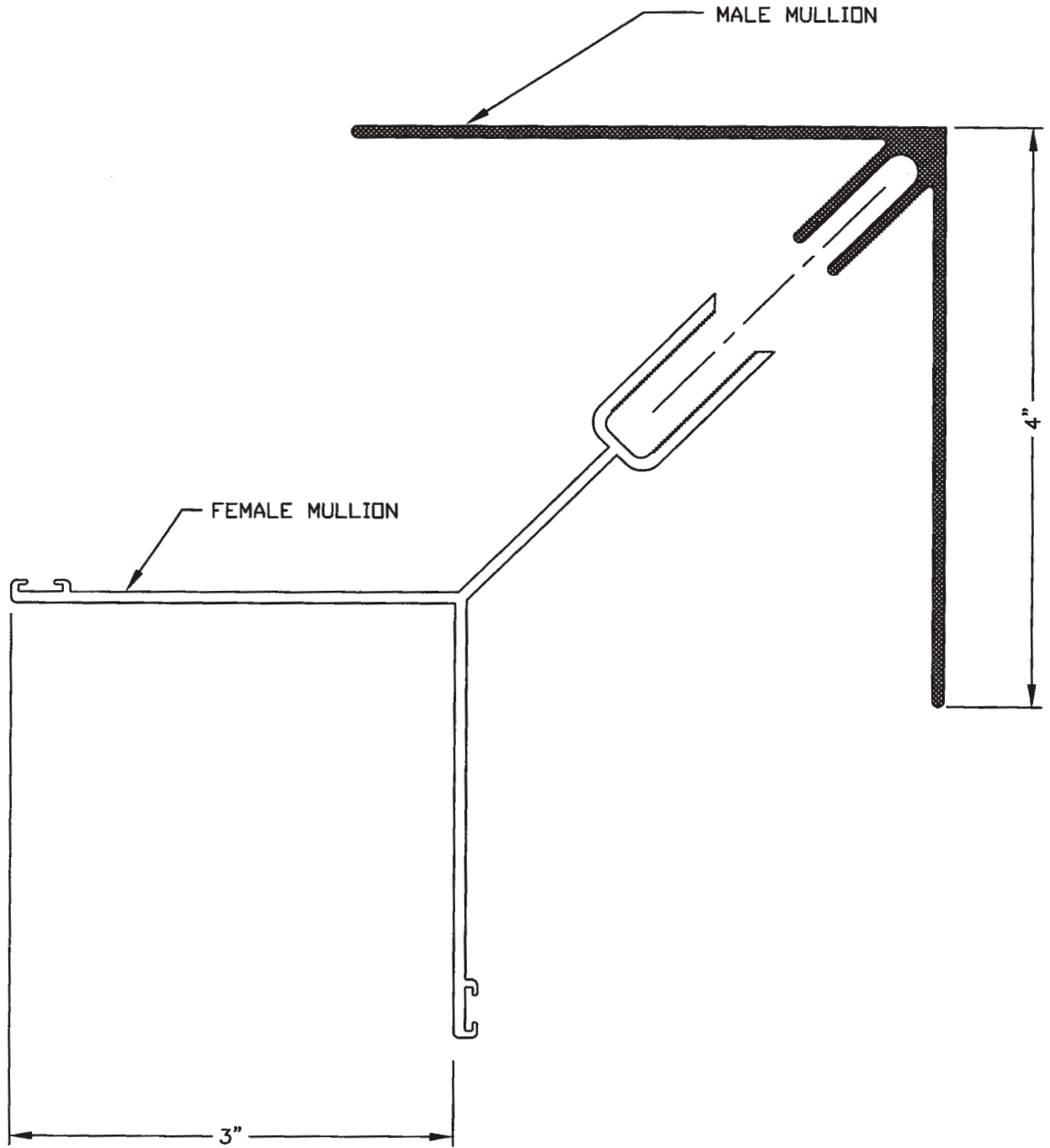
## OUTSIDE CORNER EXTRUSIONS

6063-T5 ALUMINUM  
.078 WALL THICKNESS



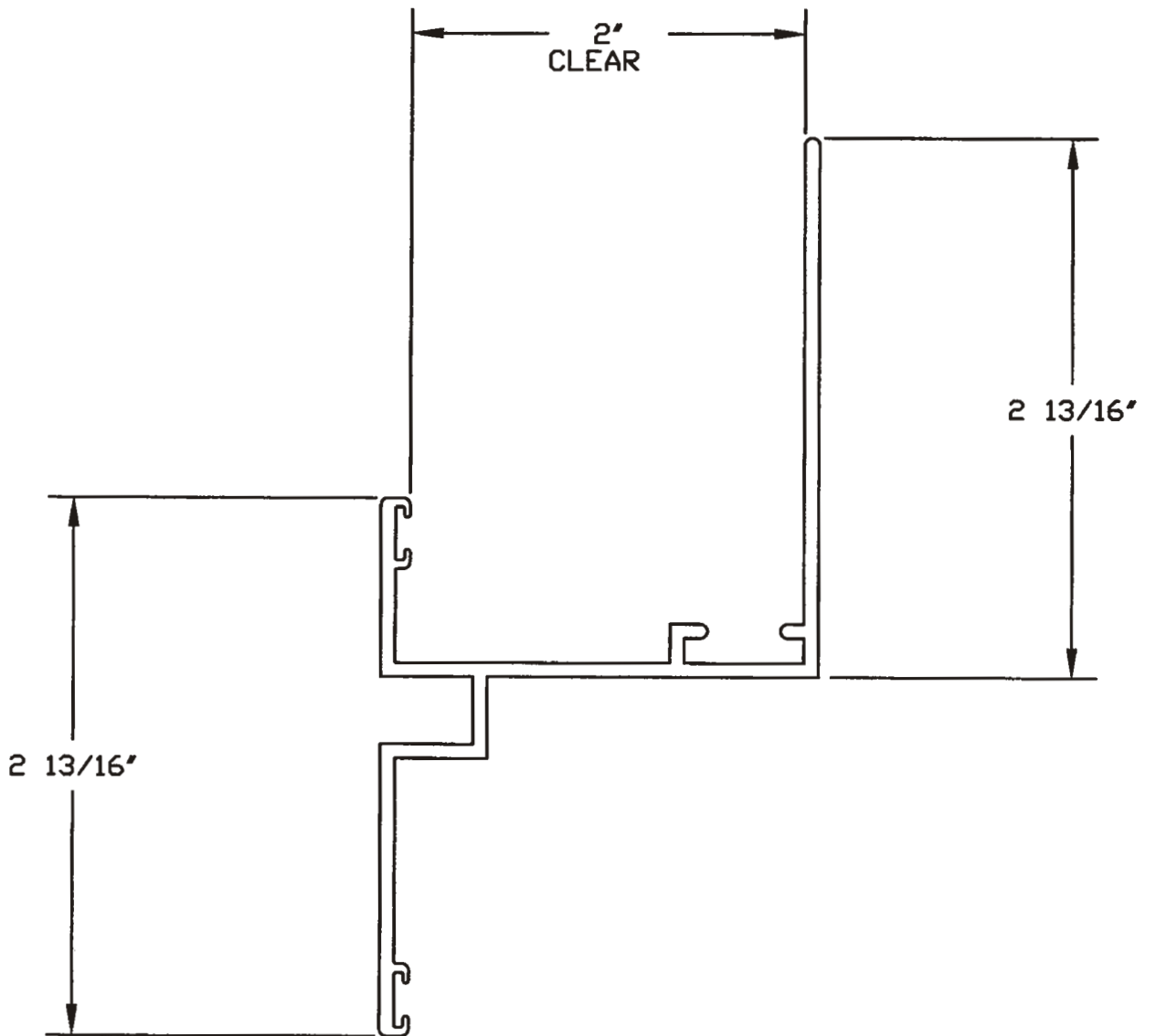
**INSIDE CORNER EXTRUSIONS**

6063-T5 ALUMINUM  
.078 WALL THICKNES



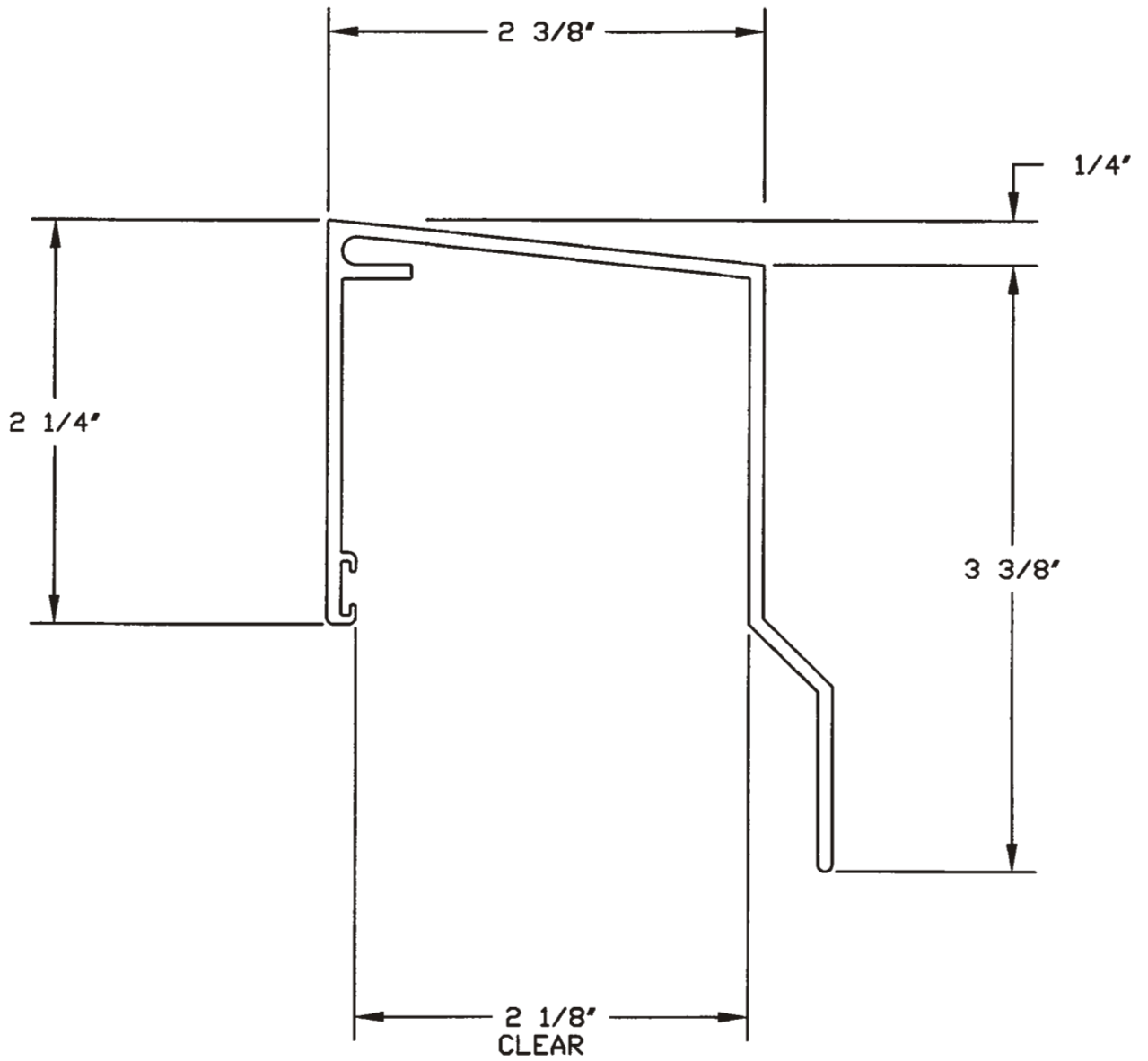
# STACK JOINT EXTRUSION

6063-T5 ALUMINUM  
.078 WALL THICKNES



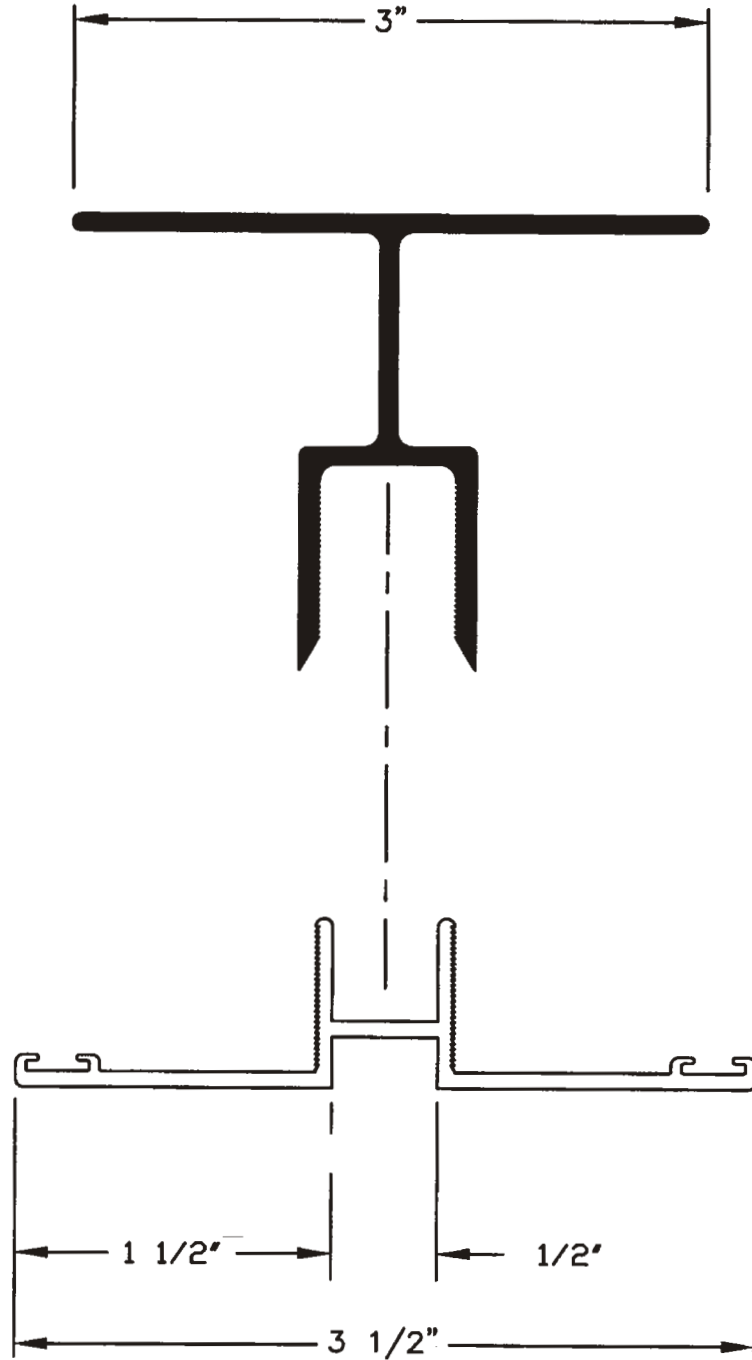
**COPING EXTRUSION**

6063-T5 ALUMINUM  
.078 WALL THICKNES

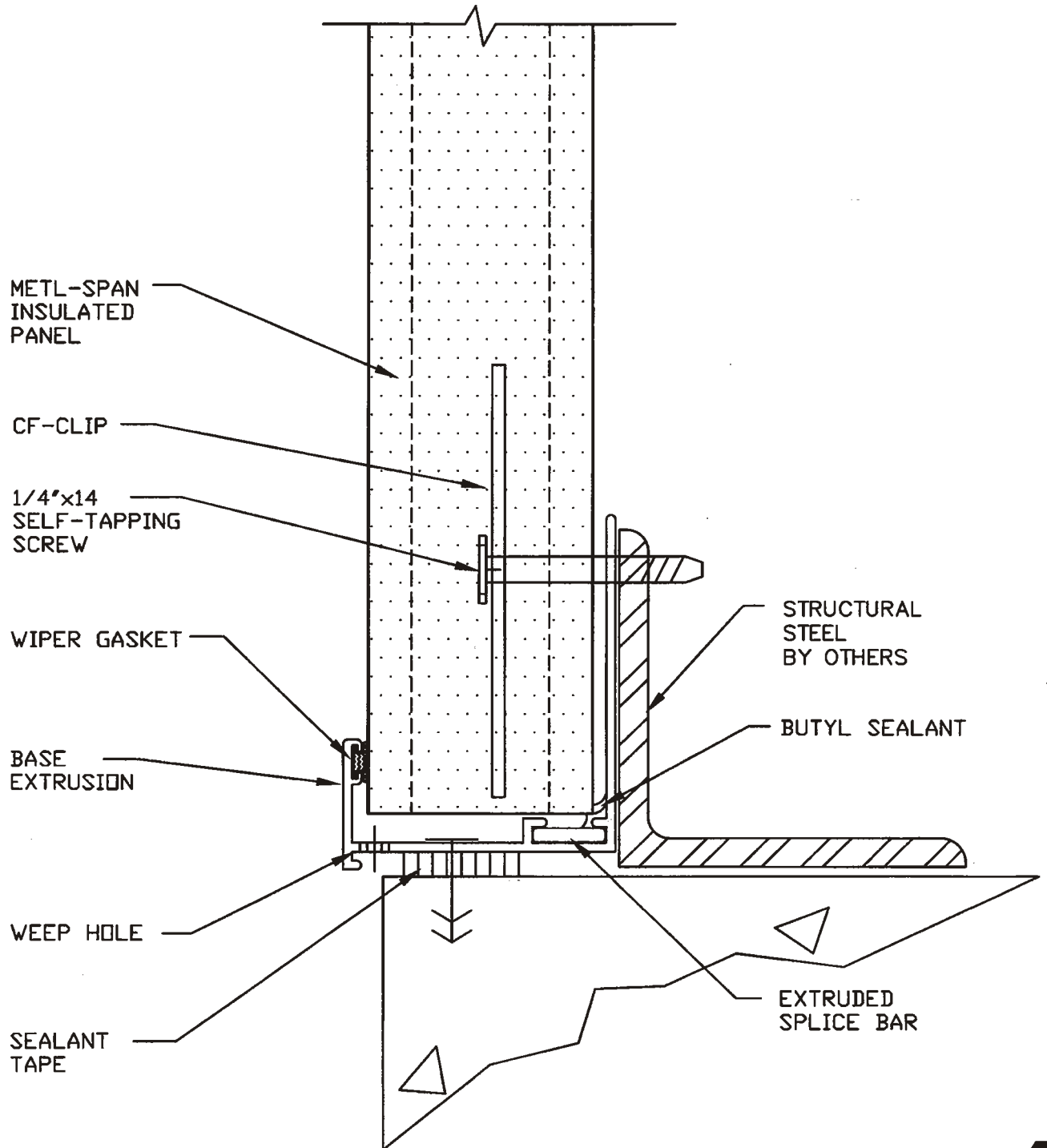


**VERTICAL JOINT "H" EXTRUSIONS**

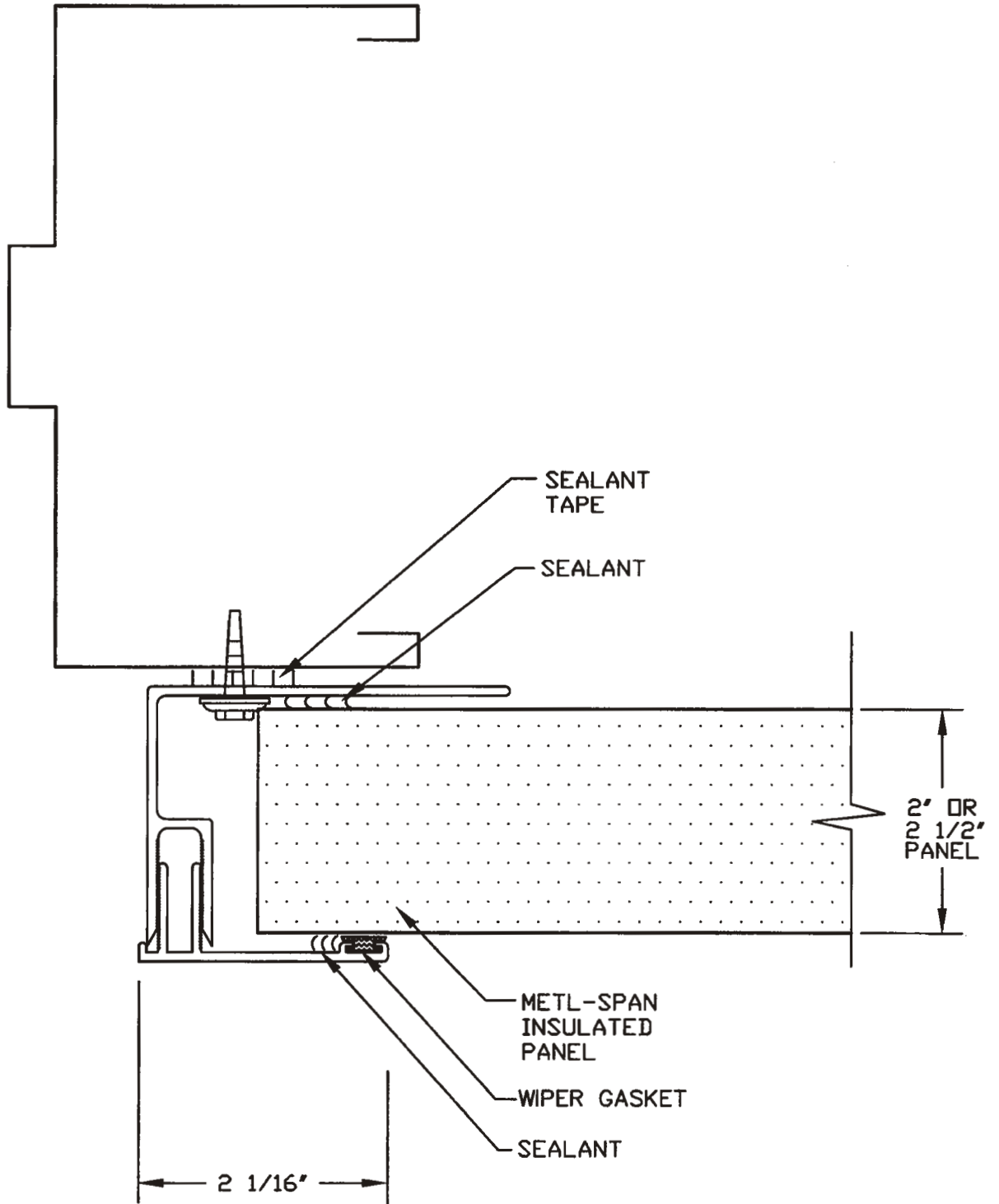
6063-T5 ALUMINUM  
.078 WALL THICKNES



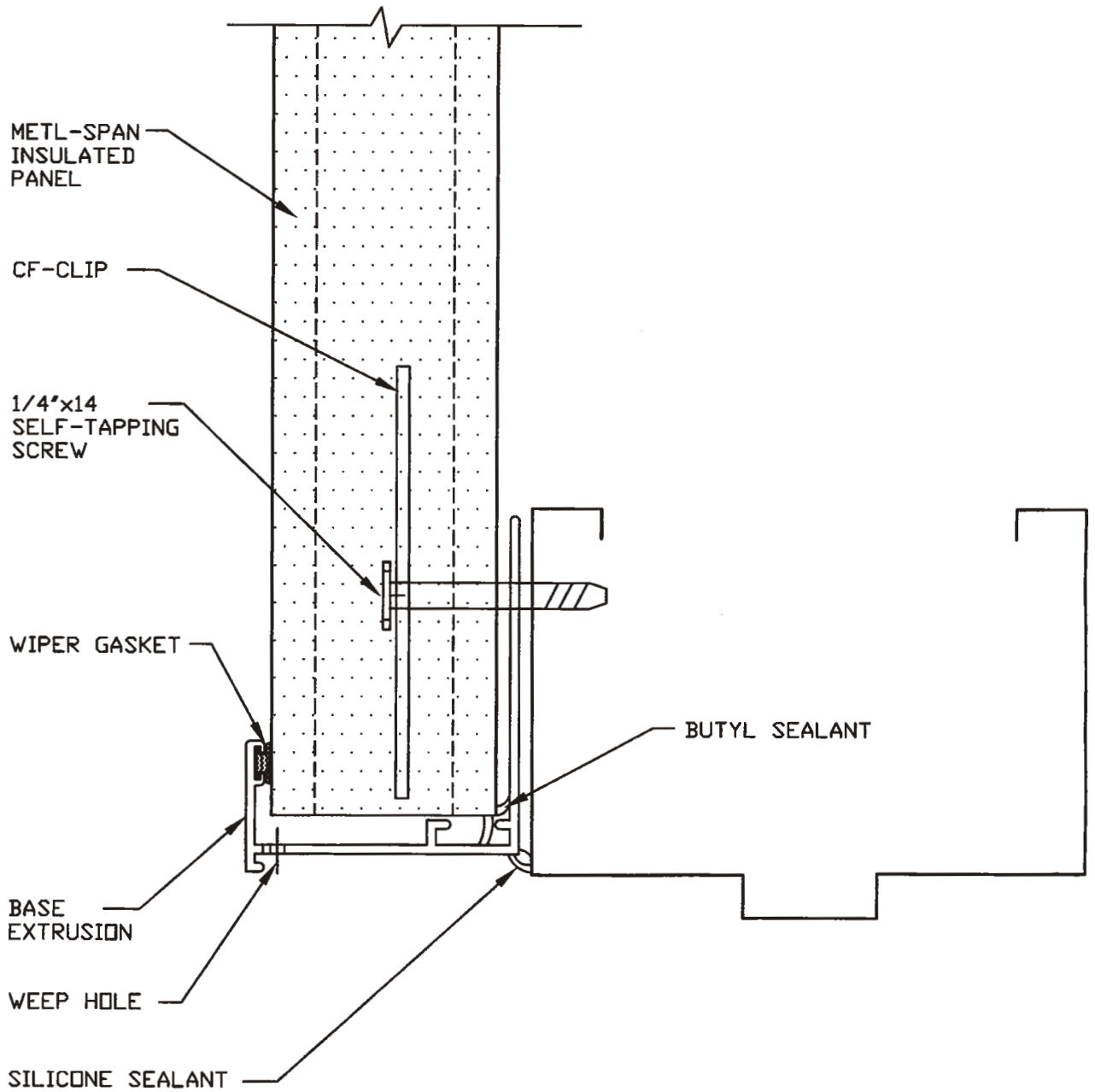
## BASE DETAIL EXTRUSION



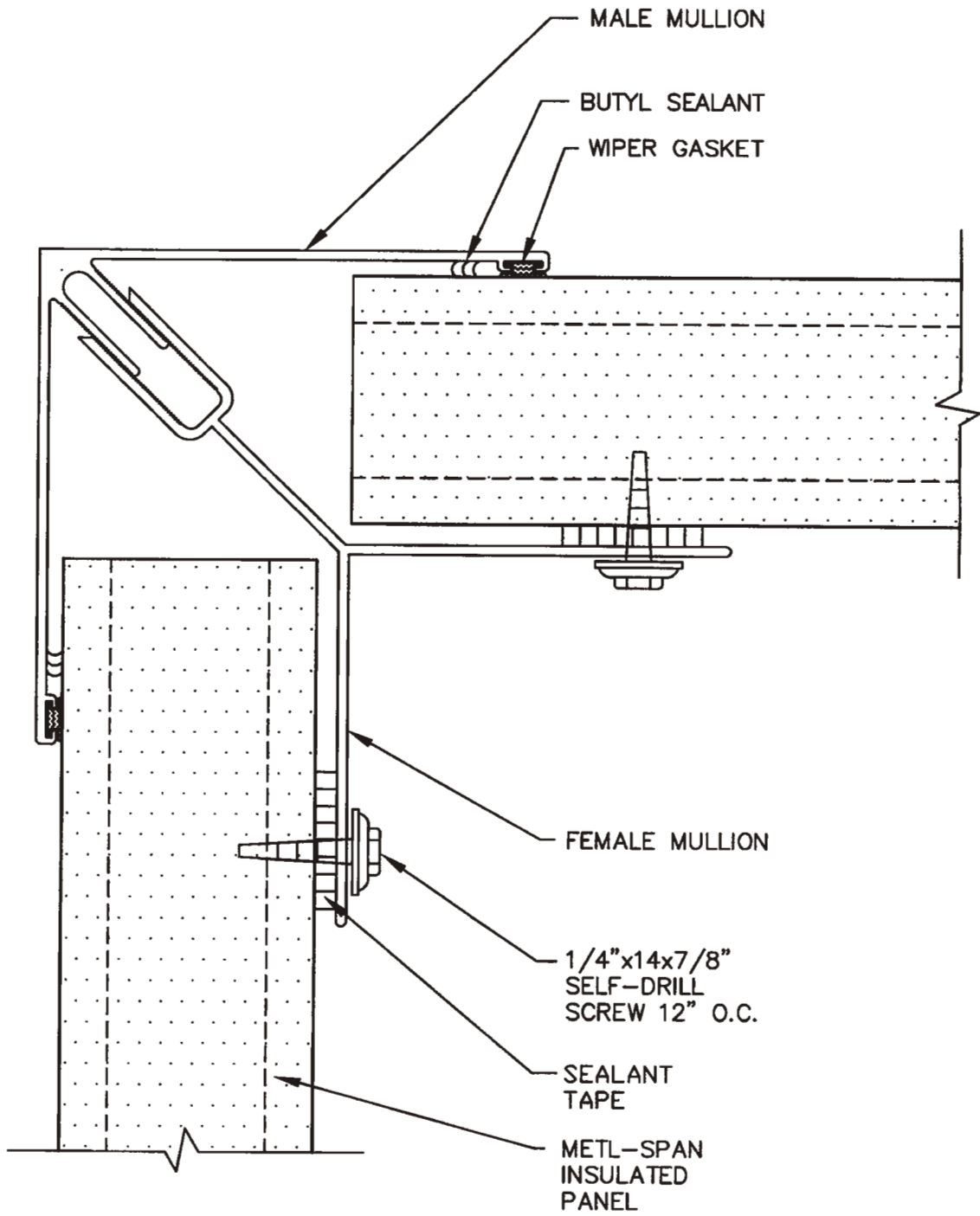
**DOOR OR WINDOW JAMB DETAIL**



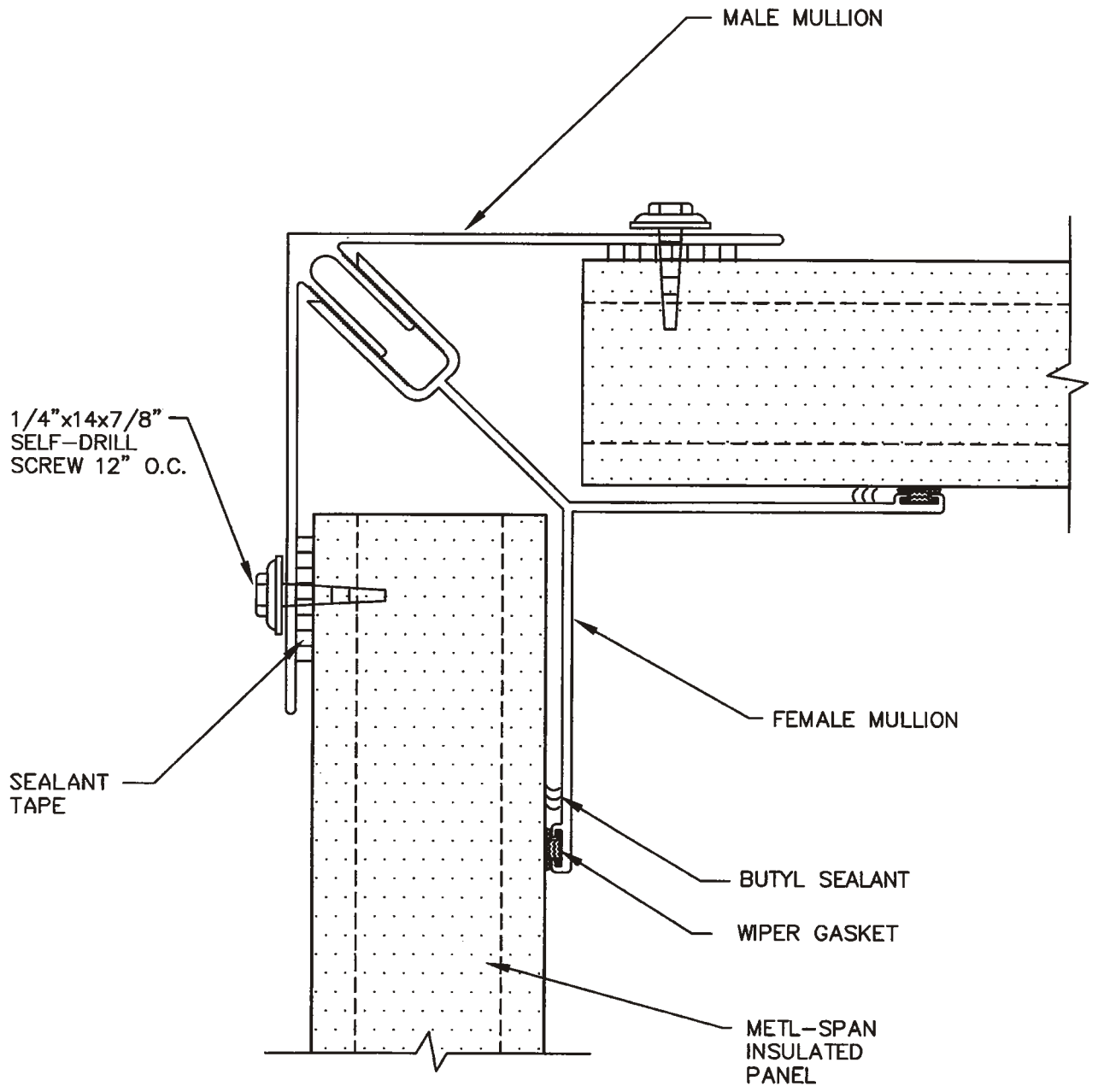
## DOOR OR WINDOW HEAD DETAIL



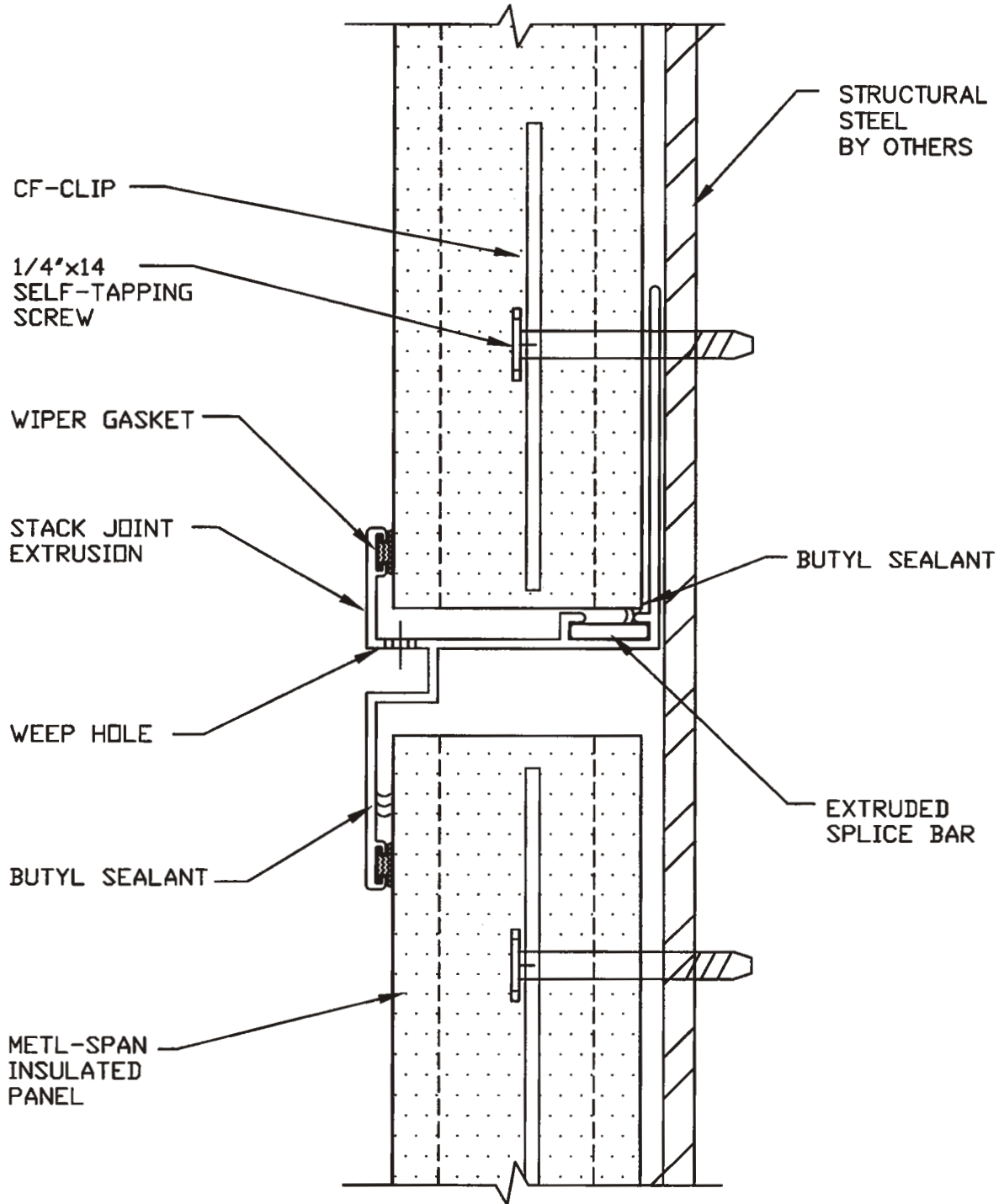
# OUTSIDE CORNER DETAIL



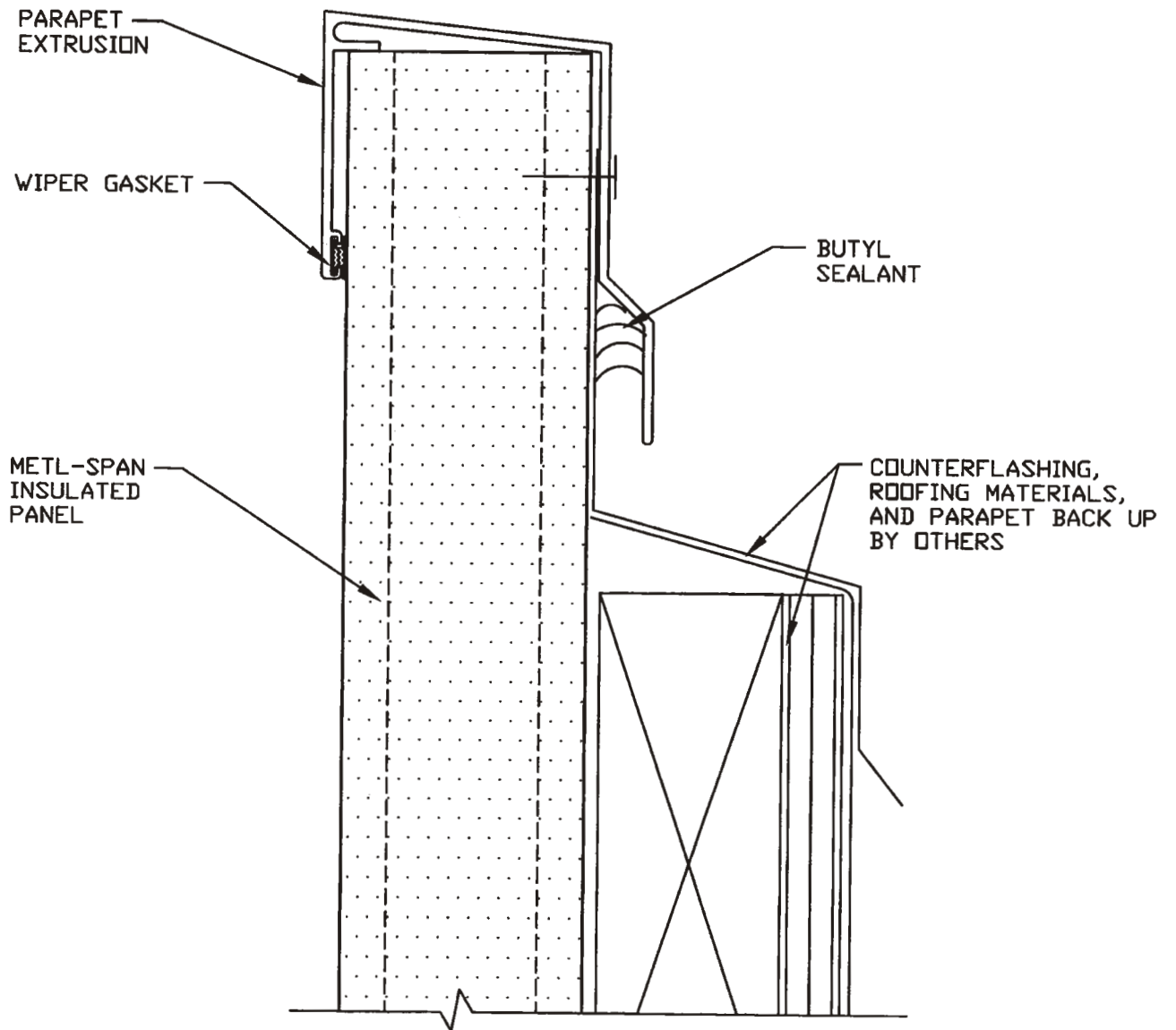
# INSIDE CORNER DETAIL



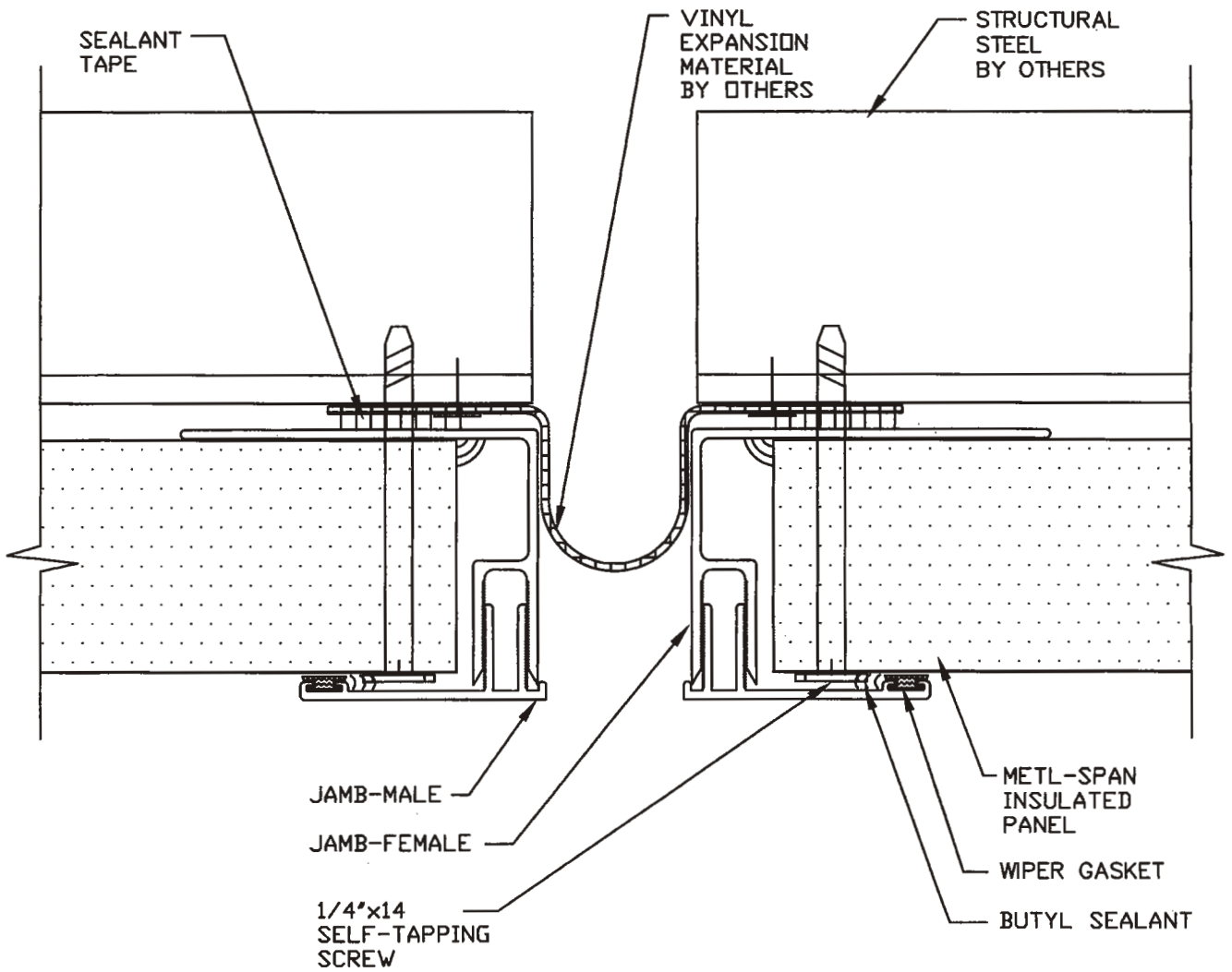
# STACK JOINT DETAIL



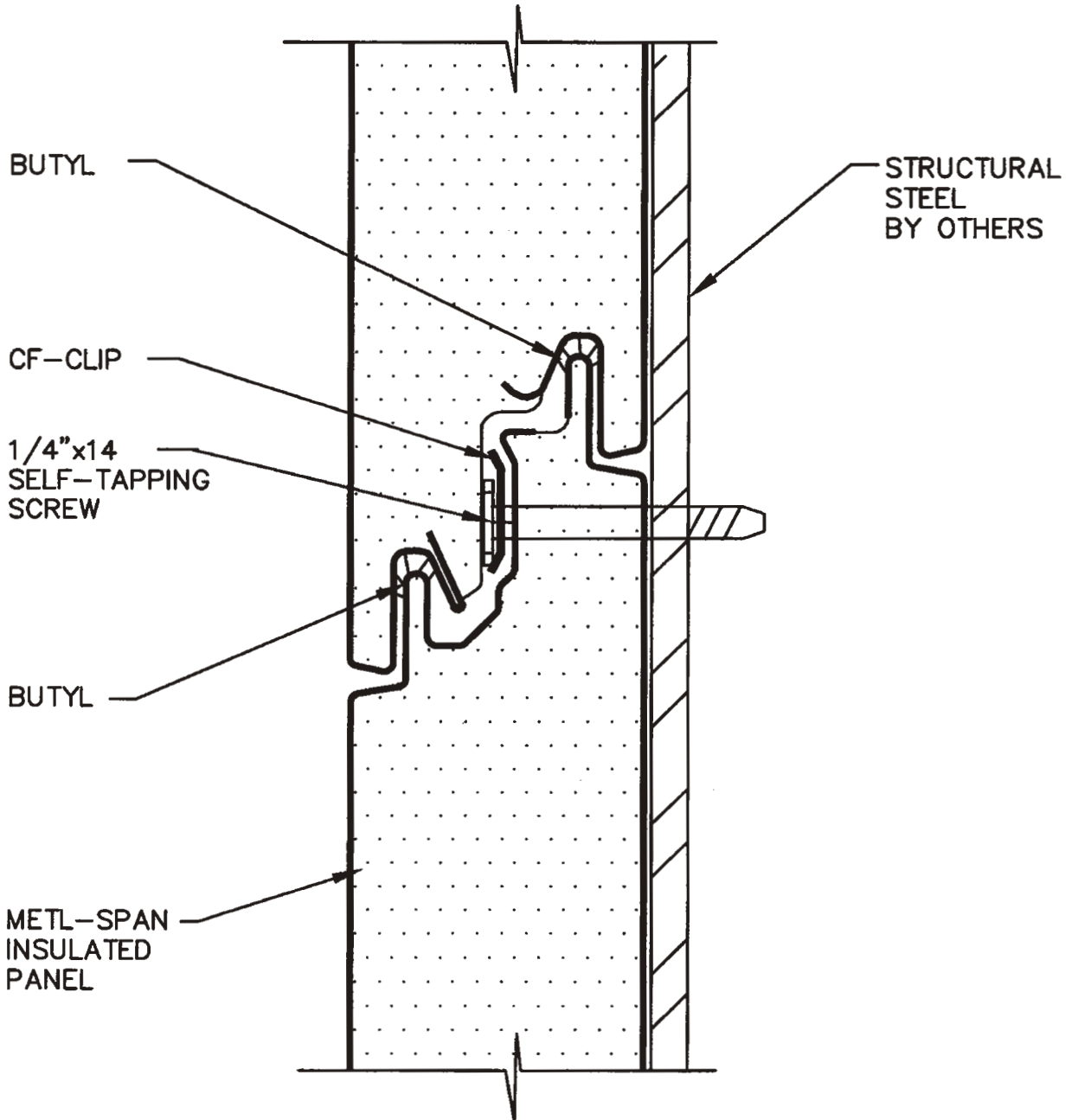
## COPING DETAIL



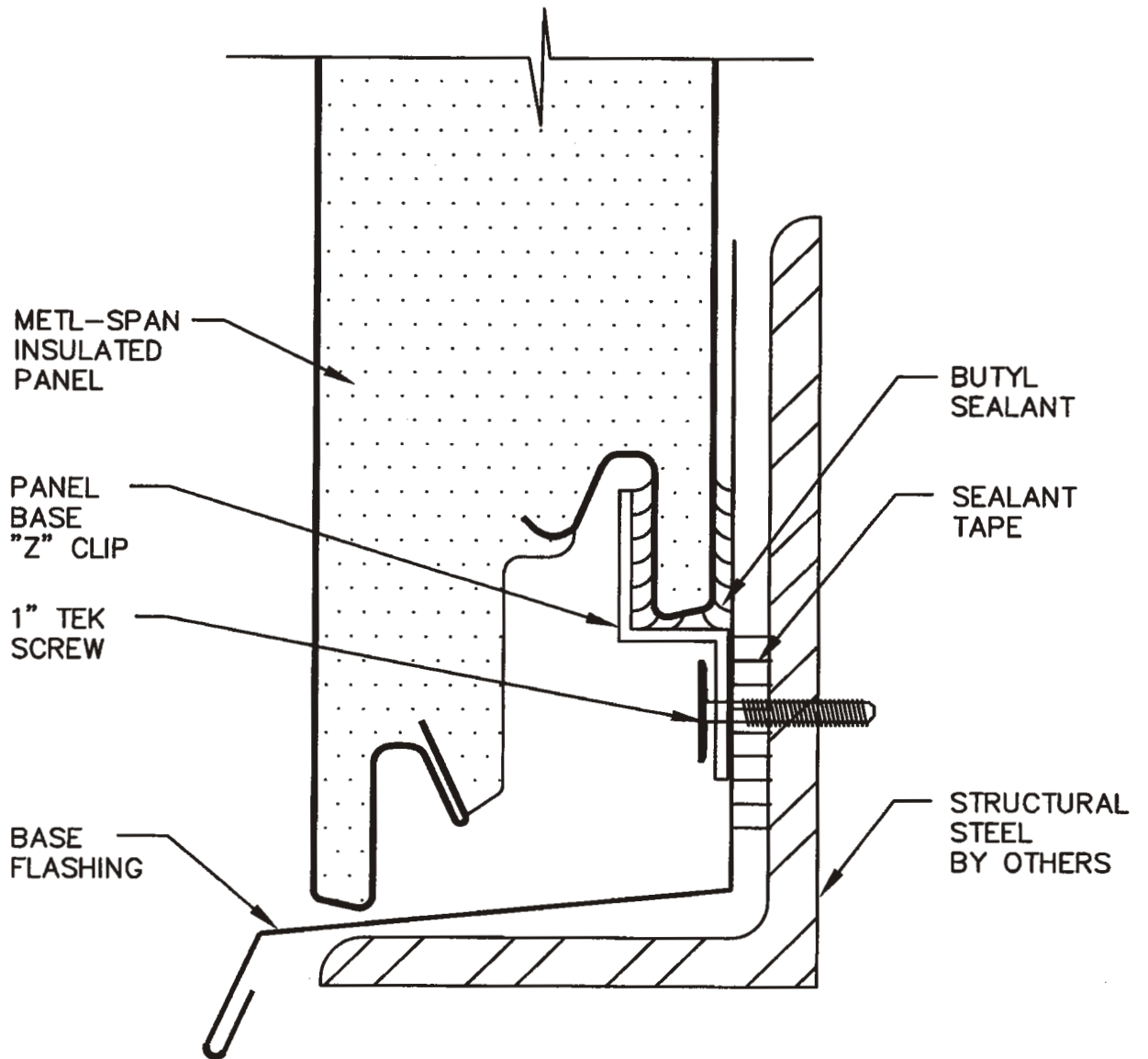
# PANEL EXPANSION JOINT



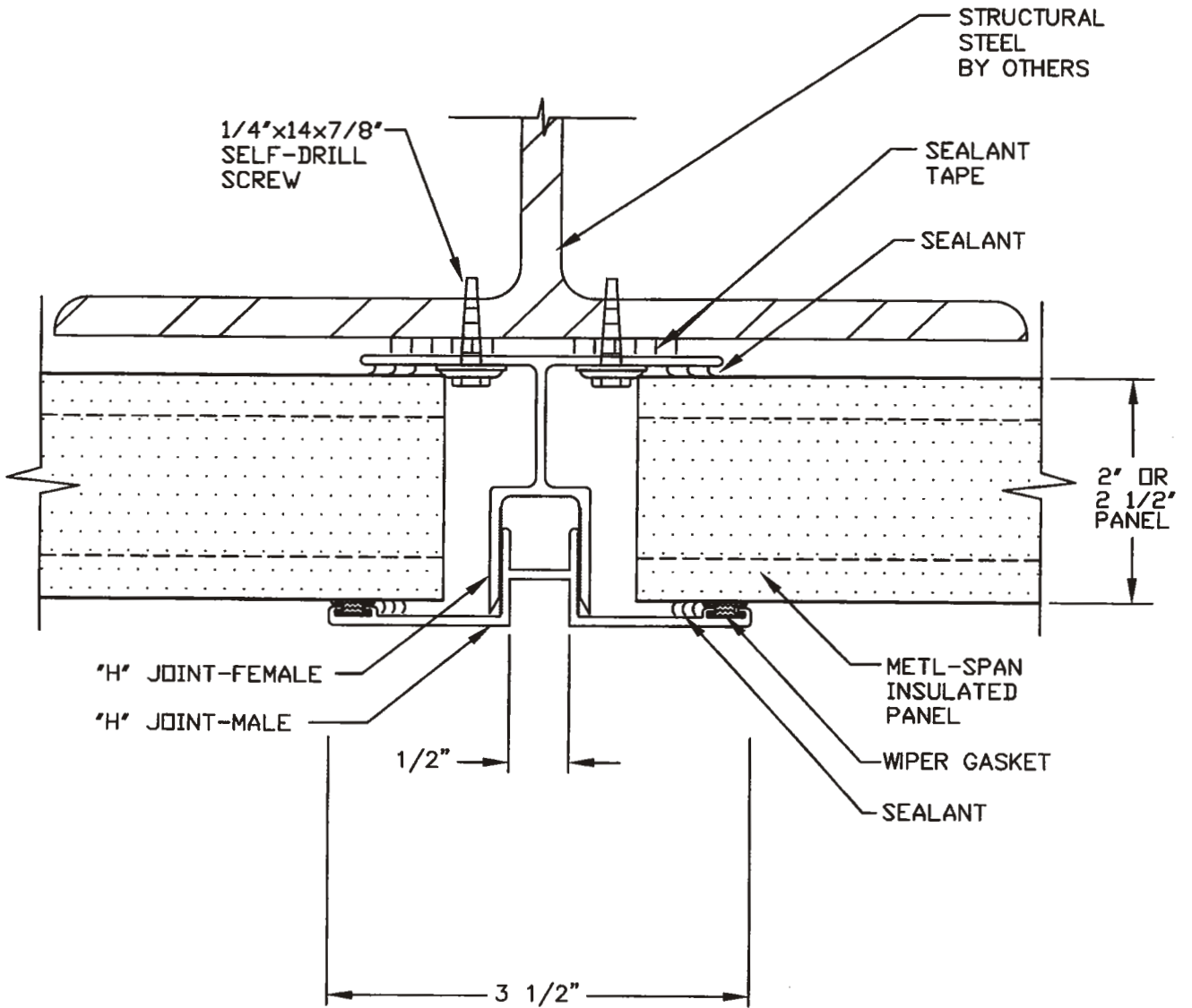
# PANEL JOINT DETAIL - HORIZONTAL



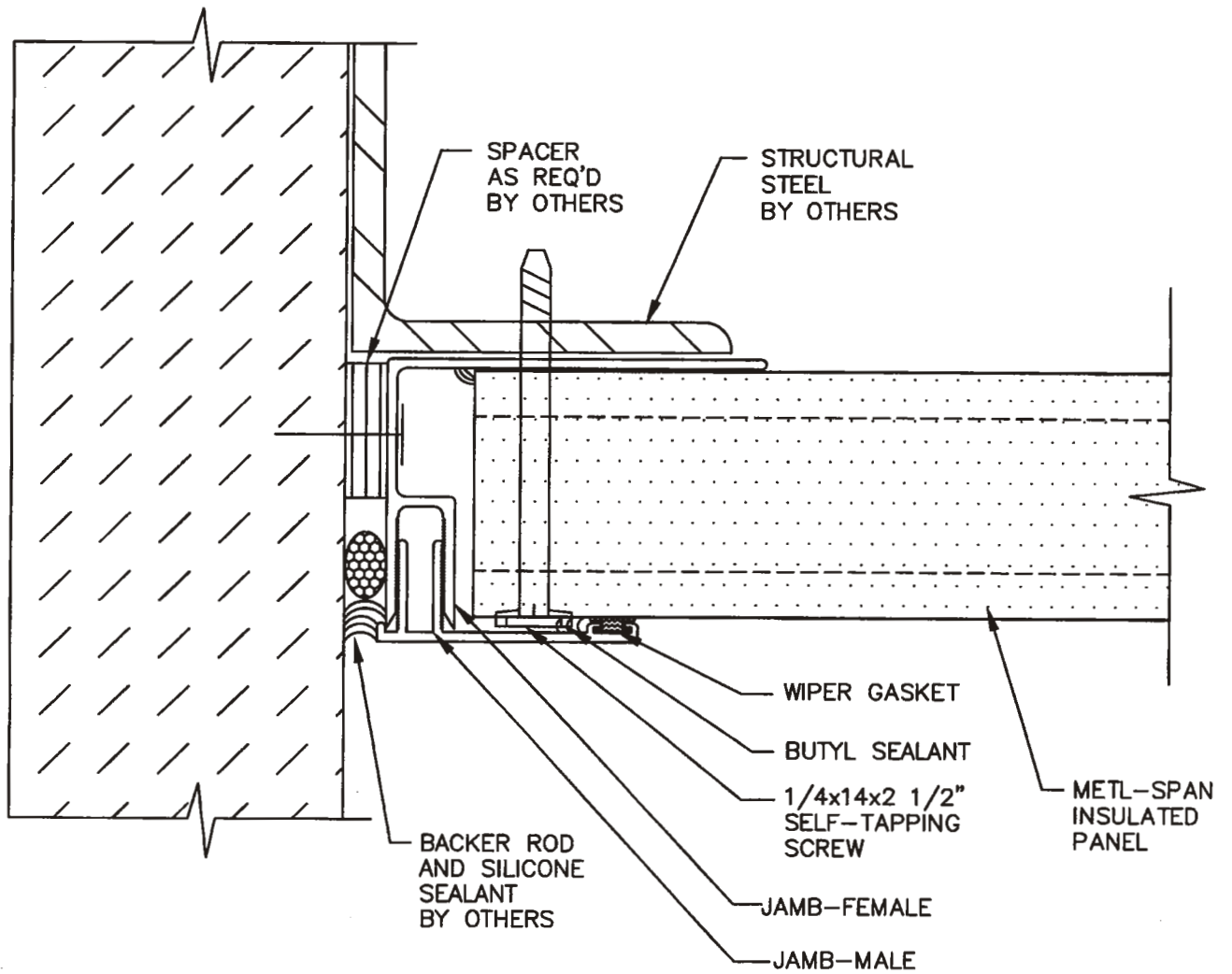
# PANEL BASE DETAIL



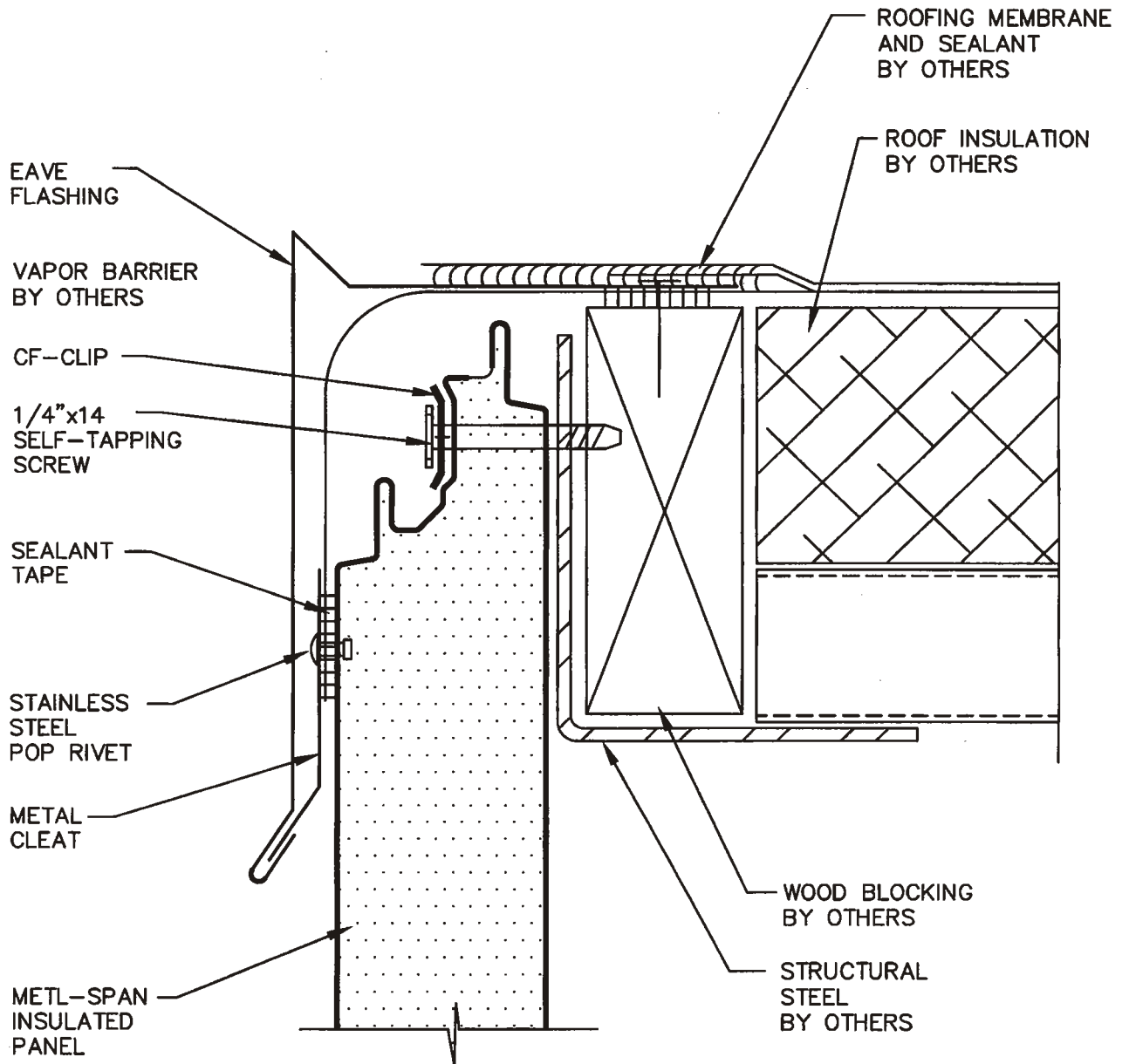
# VERTICAL EXTRUDED JOINT



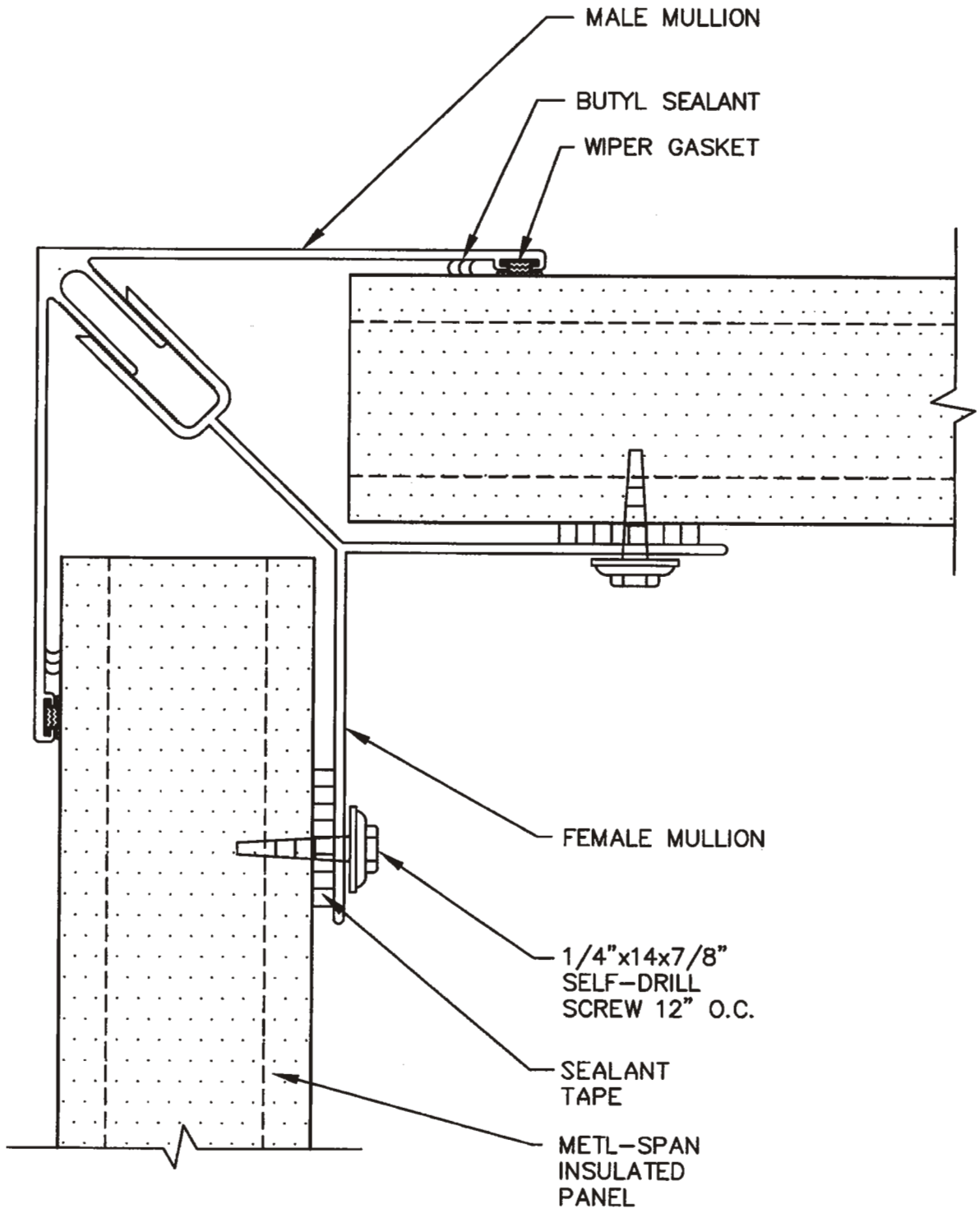
# PANEL END WALL



# PANEL HEADER DETAIL



## OUTSIDE CORNER DETAIL



# INSIDE CORNER DETAIL

