



ECOSCREEN – MR3-36

APPLICATION

SINGLE SKIN WALL PANEL

APPLICATION:
ARCHITECTURAL

COVER

DRAWING NO:

DATE:

JUN '21

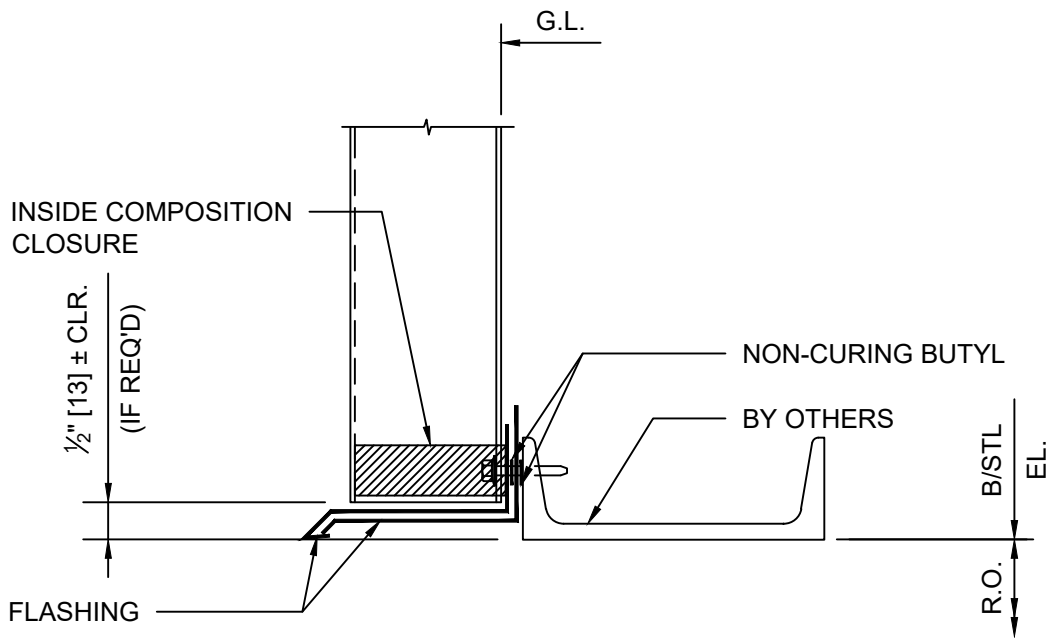
REV:

00



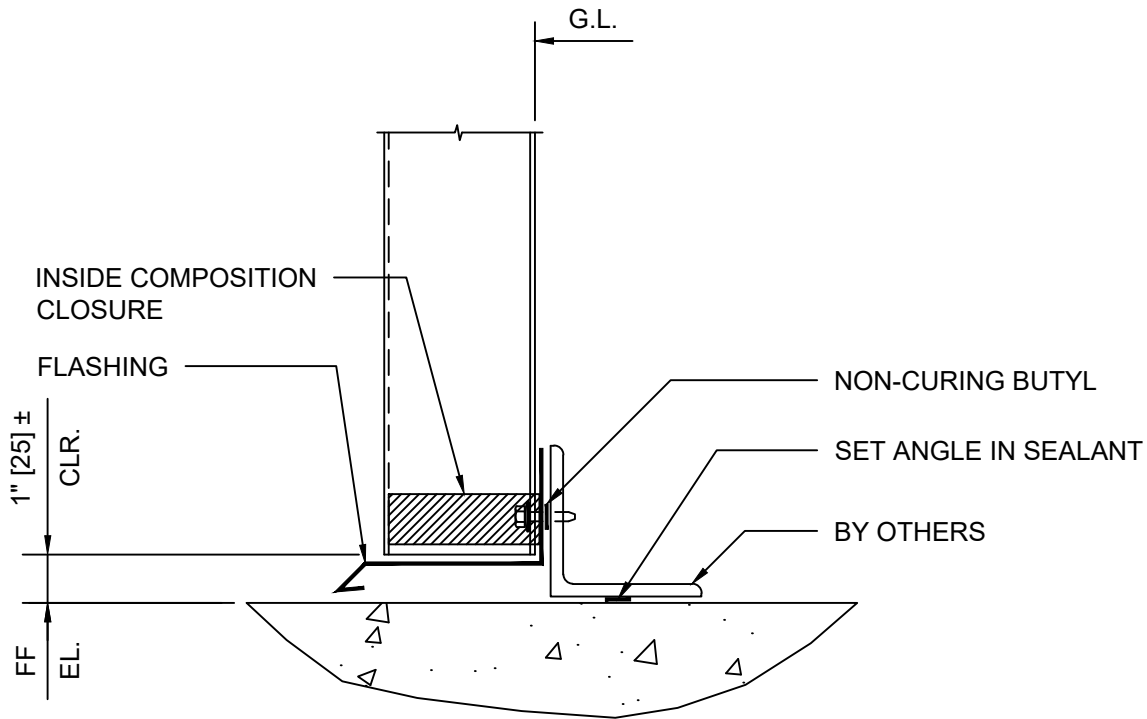
INDEX:

PAGE	
3	HEAD OPENING
4	BASE AT SLAB
5	JAMB OPENING
6	BASE AT CURB
7	ENDLAP
8	SILL
9	ENDWALL
10	OUTSIDE CORNER
11	INSIDE CORNER
12	PARAPET
13	EXPANSION JOINT
14-16	PENETRATION



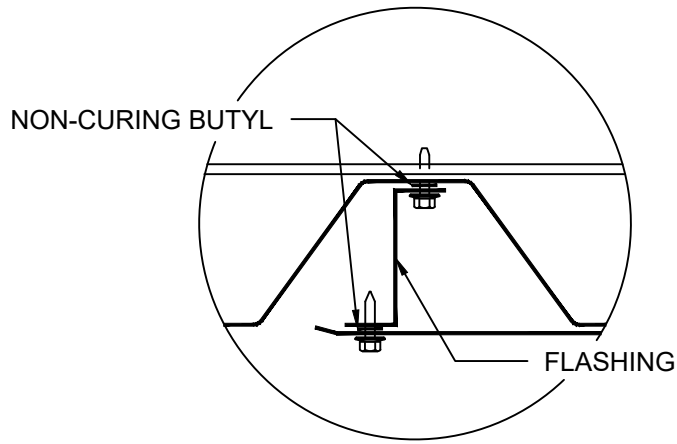
DETAIL 4
HEAD OPENING

*DETAILS SHOWN ARE FOR PROMOTIONAL USE ONLY.
THESE DETAILS SHOULD NOT FOR ANY REASON BE
USED FOR CONSTRUCTION PURPOSES.

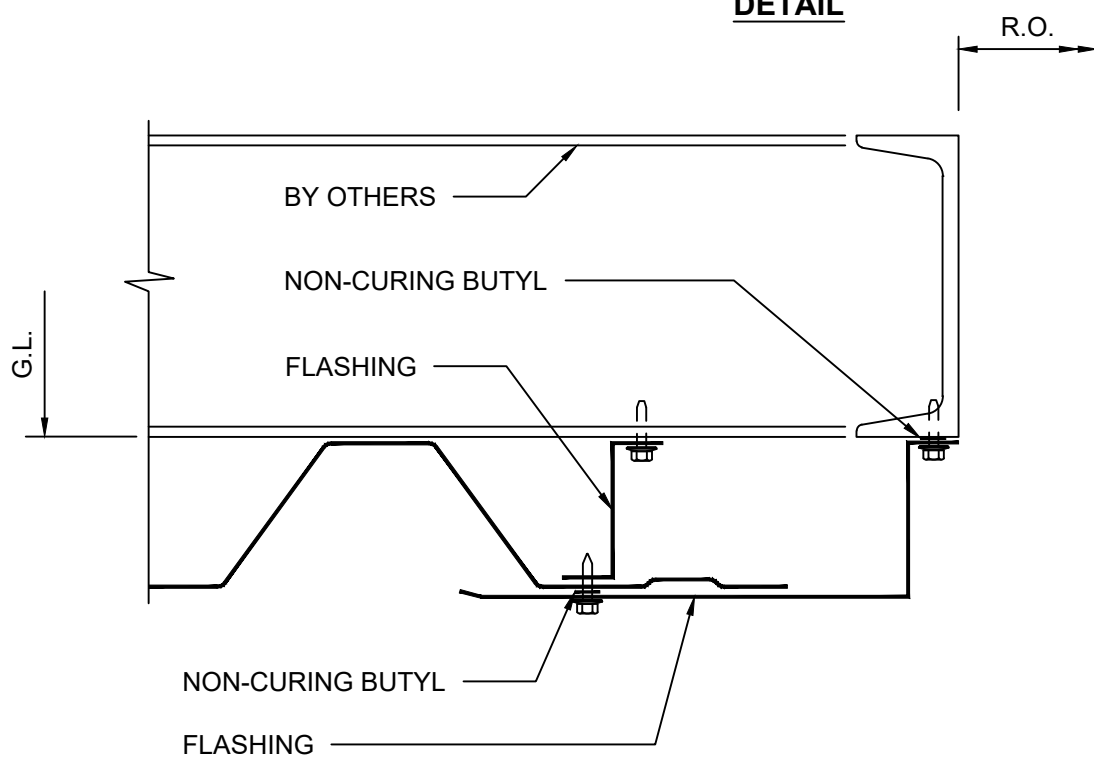


DETAIL 3
BASE AT SLAB

*DETAILS SHOWN ARE FOR PROMOTIONAL USE ONLY.
THESE DETAILS SHOULD NOT FOR ANY REASON BE
USED FOR CONSTRUCTION PURPOSES.

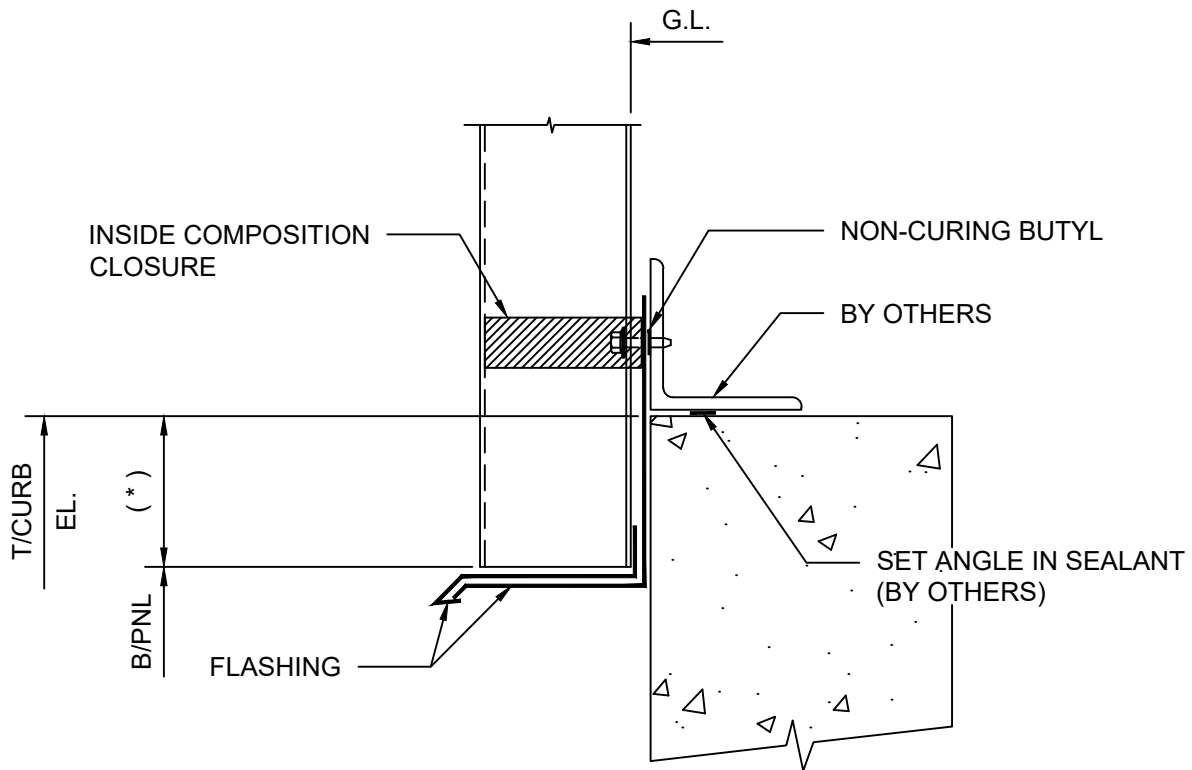


**OPTIONAL LOW CELL
DETAIL**



**DETAIL 5
JAMB OPENING**

*DETAILS SHOWN ARE FOR PROMOTIONAL USE ONLY.
THESE DETAILS SHOULD NOT FOR ANY REASON BE
USED FOR CONSTRUCTION PURPOSES.



DETAIL 3A
BASE AT CURB

*DETAILS SHOWN ARE FOR PROMOTIONAL USE ONLY.
THESE DETAILS SHOULD NOT FOR ANY REASON BE
USED FOR CONSTRUCTION PURPOSES.

DRAWING NO:

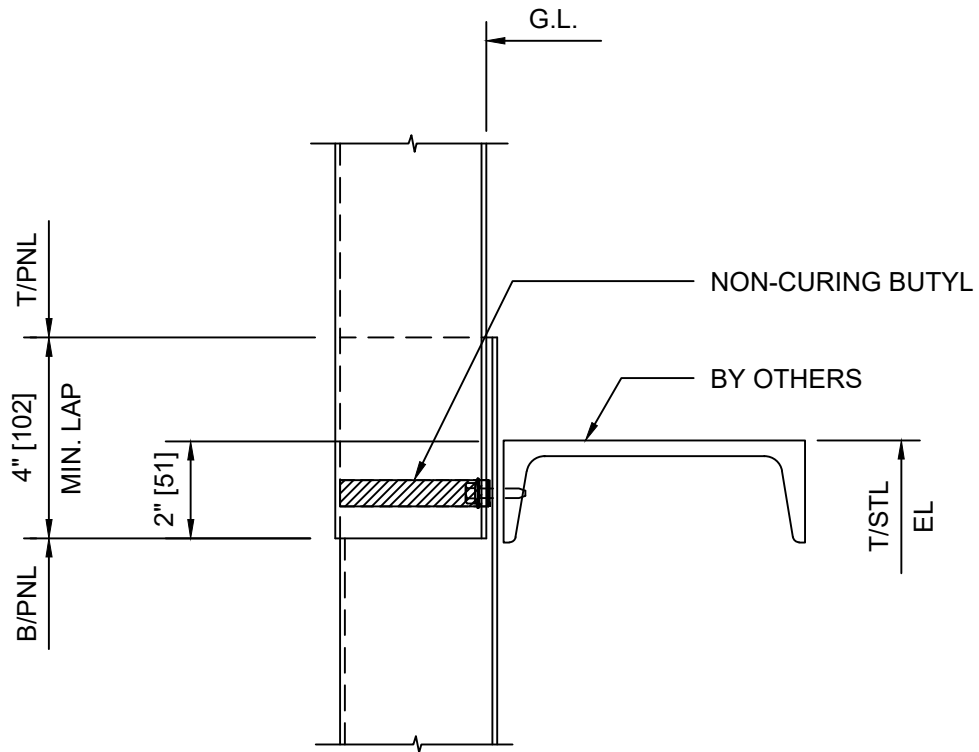
XX

DATE:

OCT20

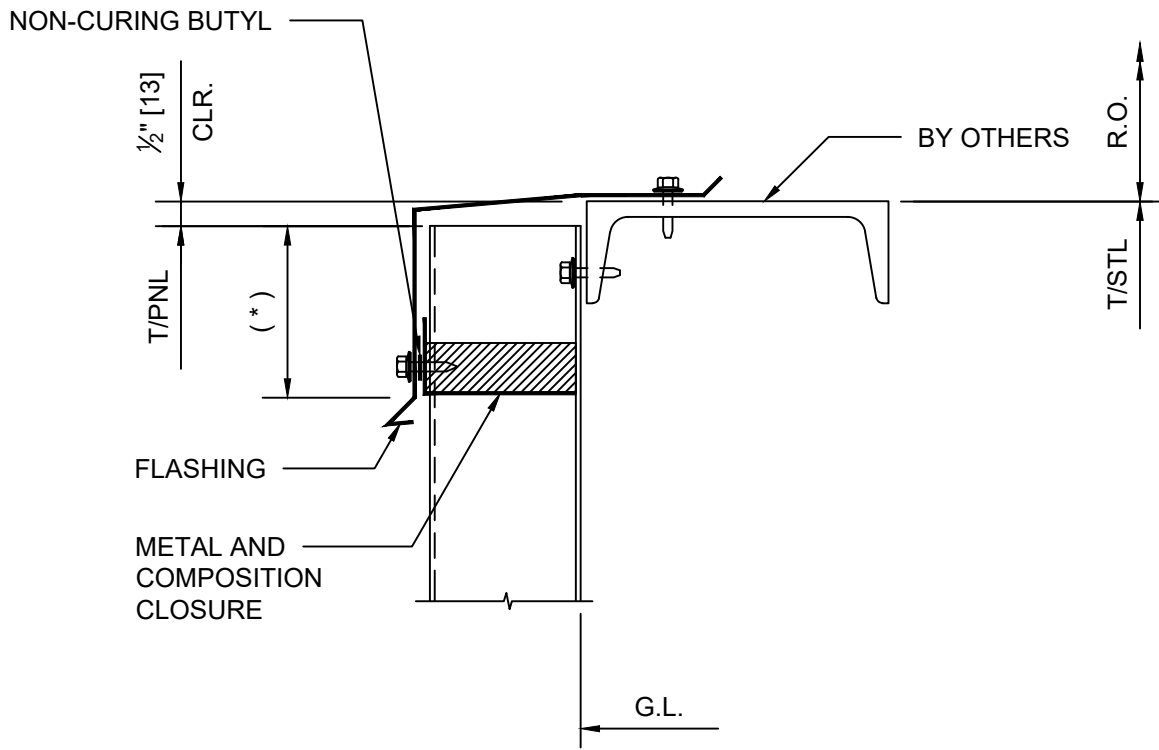
REV:

0



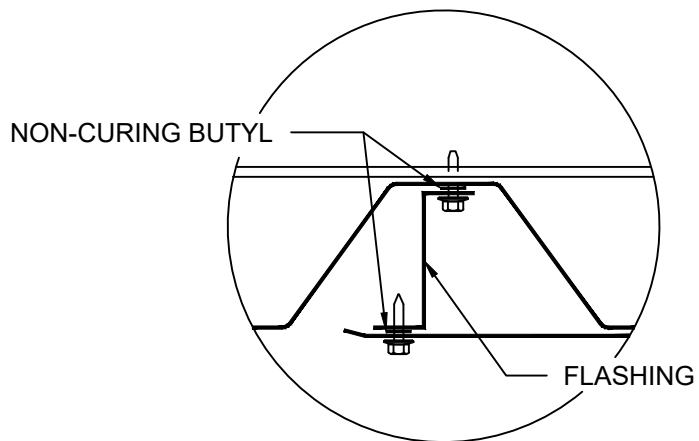
DETAIL 2
ENDLAP

*DETAILS SHOWN ARE FOR PROMOTIONAL USE ONLY.
THESE DETAILS SHOULD NOT FOR ANY REASON BE
USED FOR CONSTRUCTION PURPOSES.

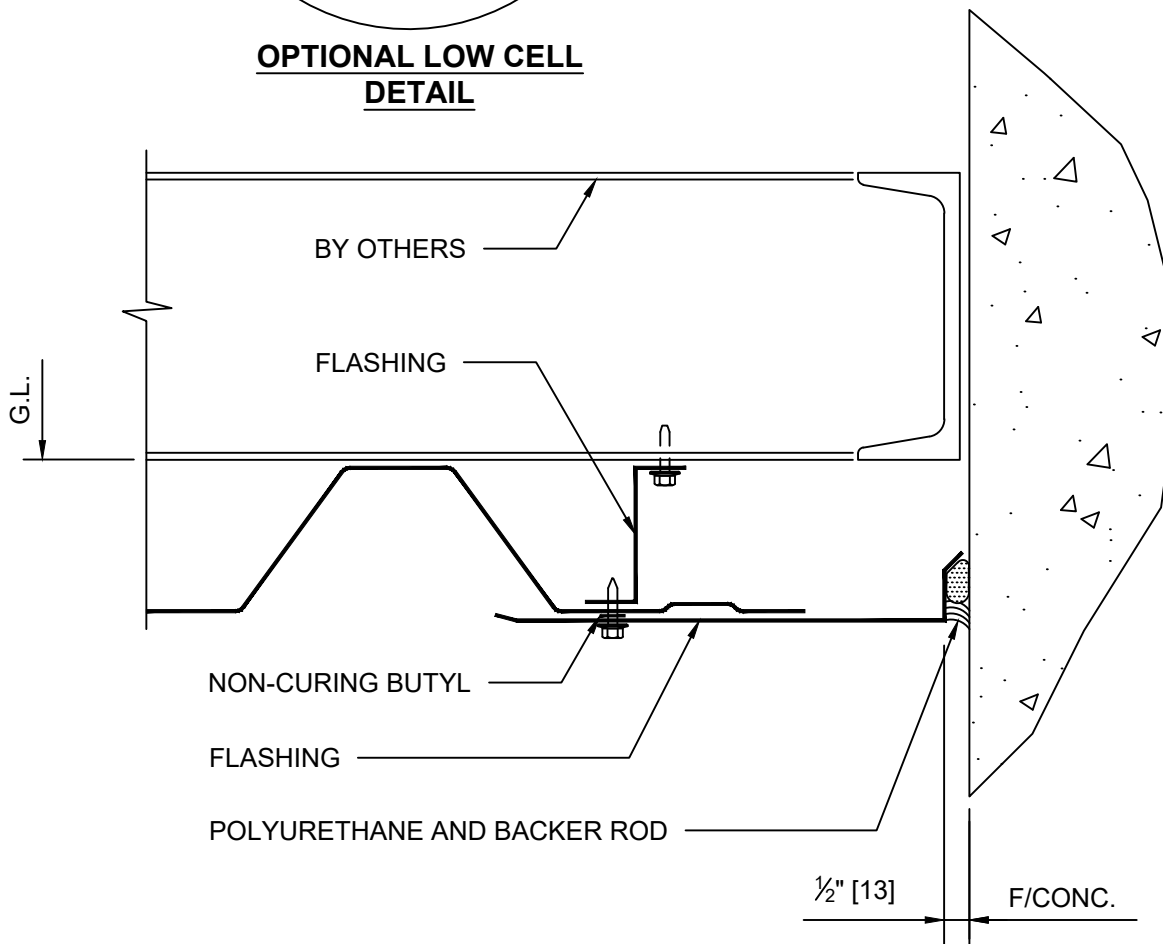


DETAIL 6
SILL OPENING

*DETAILS SHOWN ARE FOR PROMOTIONAL USE ONLY. THESE DETAILS SHOULD NOT FOR ANY REASON BE USED FOR CONSTRUCTION PURPOSES.

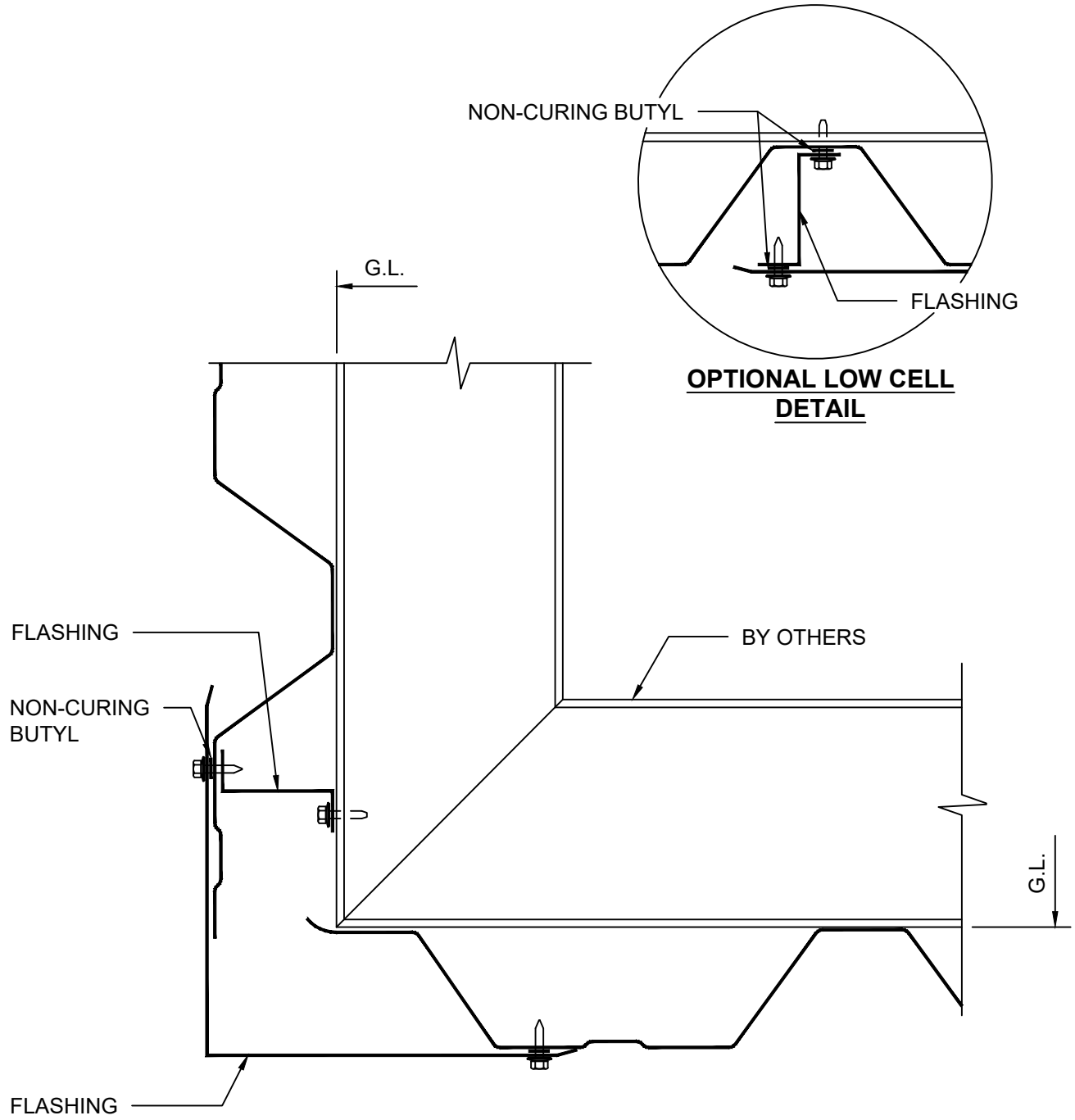


**OPTIONAL LOW CELL
DETAIL**



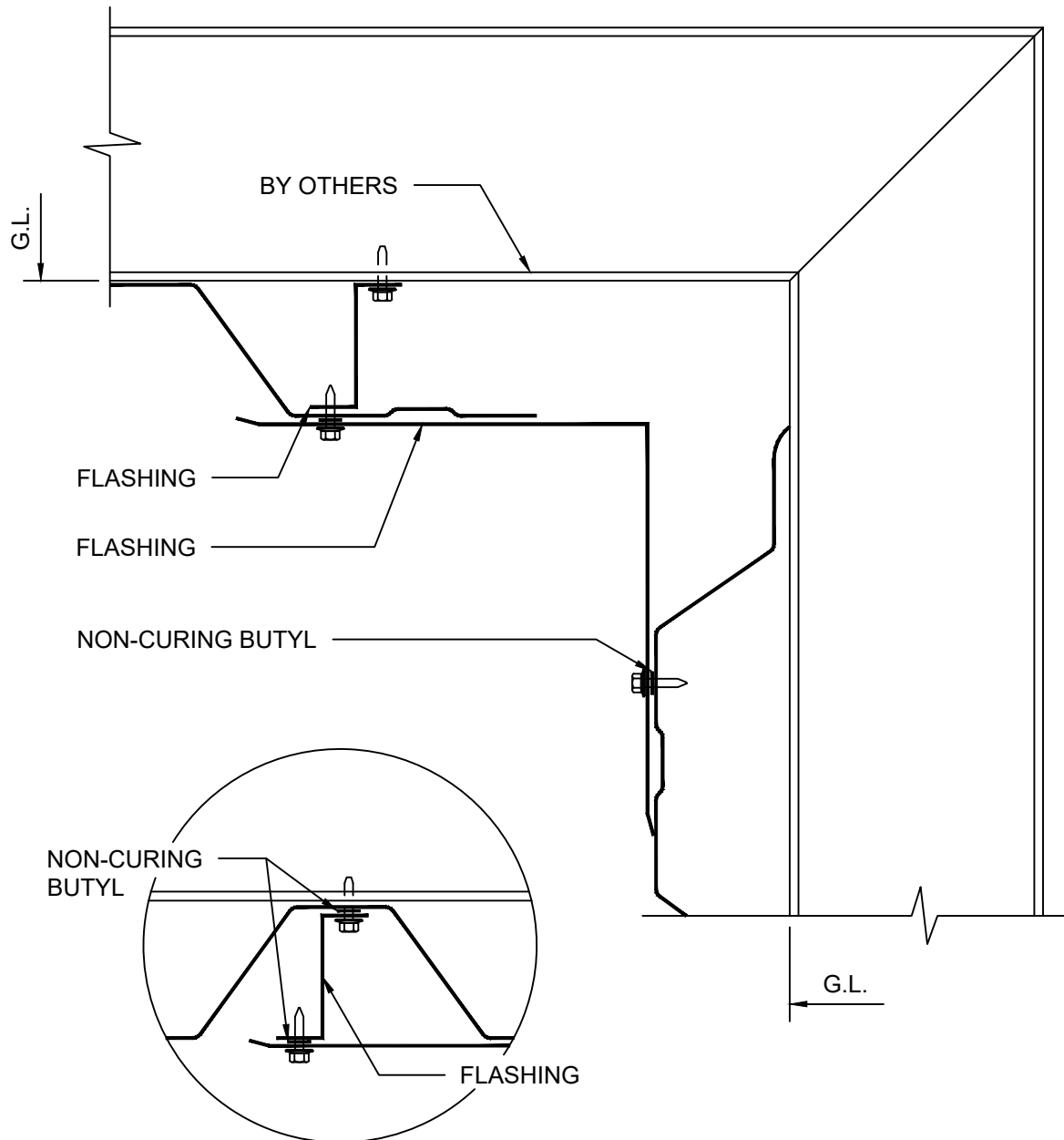
**DETAIL 11
ENDWALL**

*DETAILS SHOWN ARE FOR PROMOTIONAL USE ONLY.
THESE DETAILS SHOULD NOT FOR ANY REASON BE
USED FOR CONSTRUCTION PURPOSES.



DETAIL 9
OUTSIDE CORNER

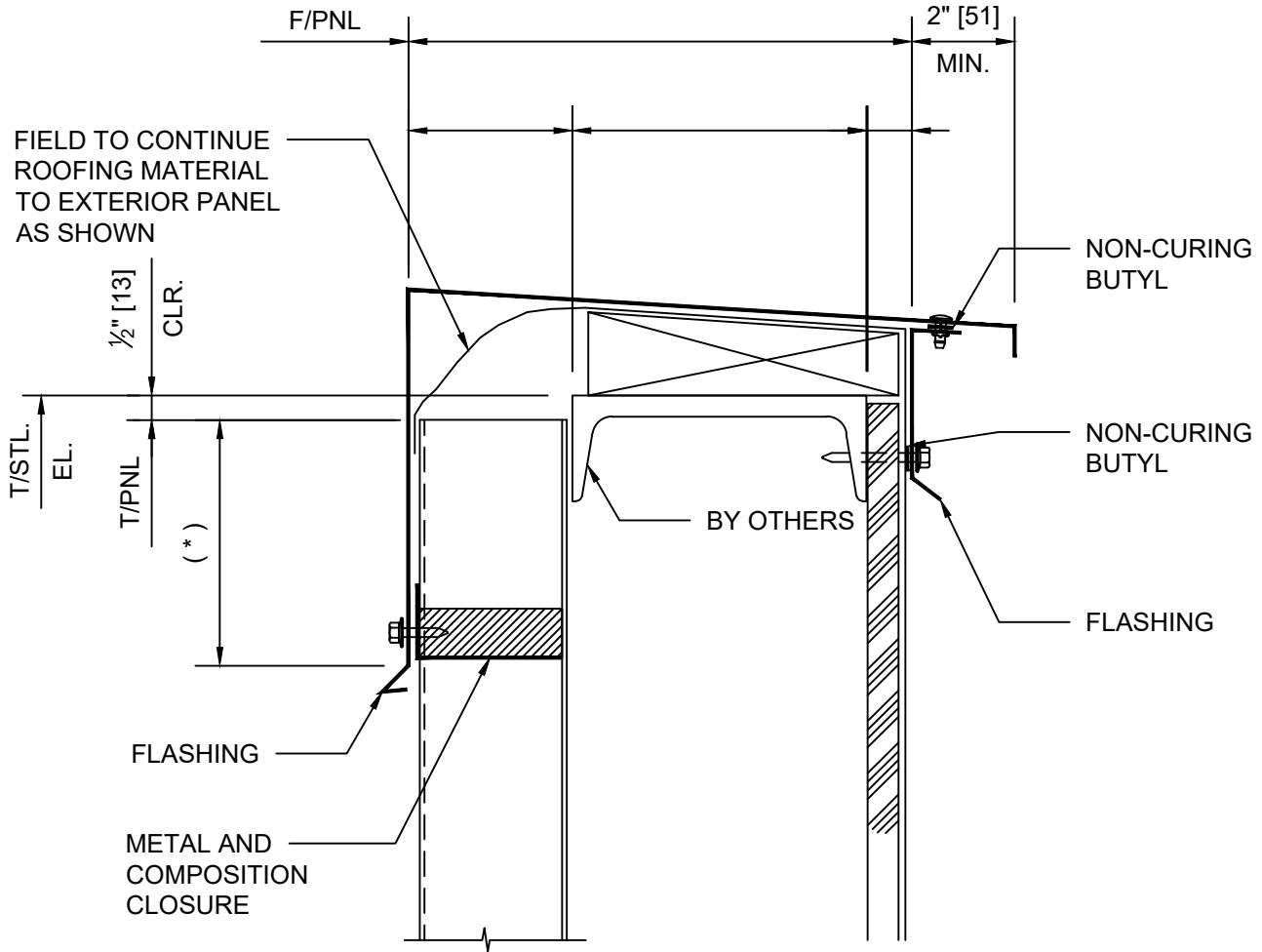
*DETAILS SHOWN ARE FOR PROMOTIONAL USE ONLY.
THESE DETAILS SHOULD NOT FOR ANY REASON BE
USED FOR CONSTRUCTION PURPOSES.



**OPTIONAL LOW CELL
DETAIL**

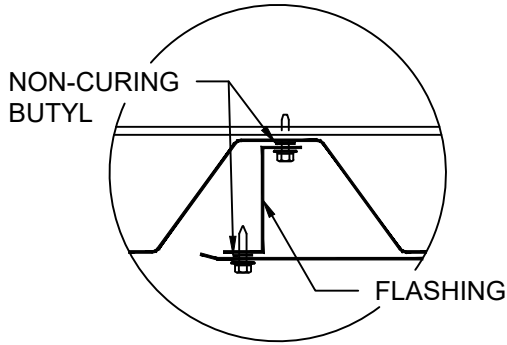
**DETAIL 10
INSIDE CORNER**

***DETAILS SHOWN ARE FOR PROMOTIONAL USE ONLY.
THESE DETAILS SHOULD NOT FOR ANY REASON BE
USED FOR CONSTRUCTION PURPOSES.**

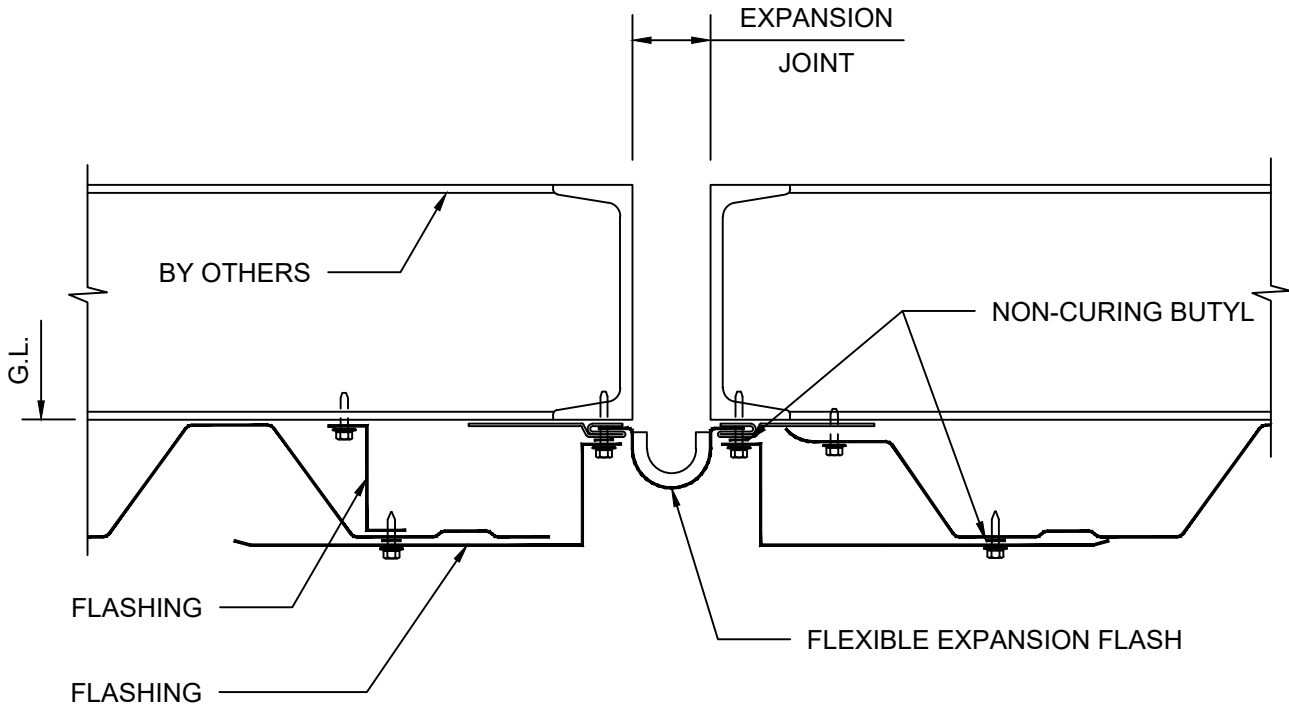


DETAIL 7
PARAPET

*DETAILS SHOWN ARE FOR PROMOTIONAL USE ONLY. THESE DETAILS SHOULD NOT FOR ANY REASON BE USED FOR CONSTRUCTION PURPOSES.

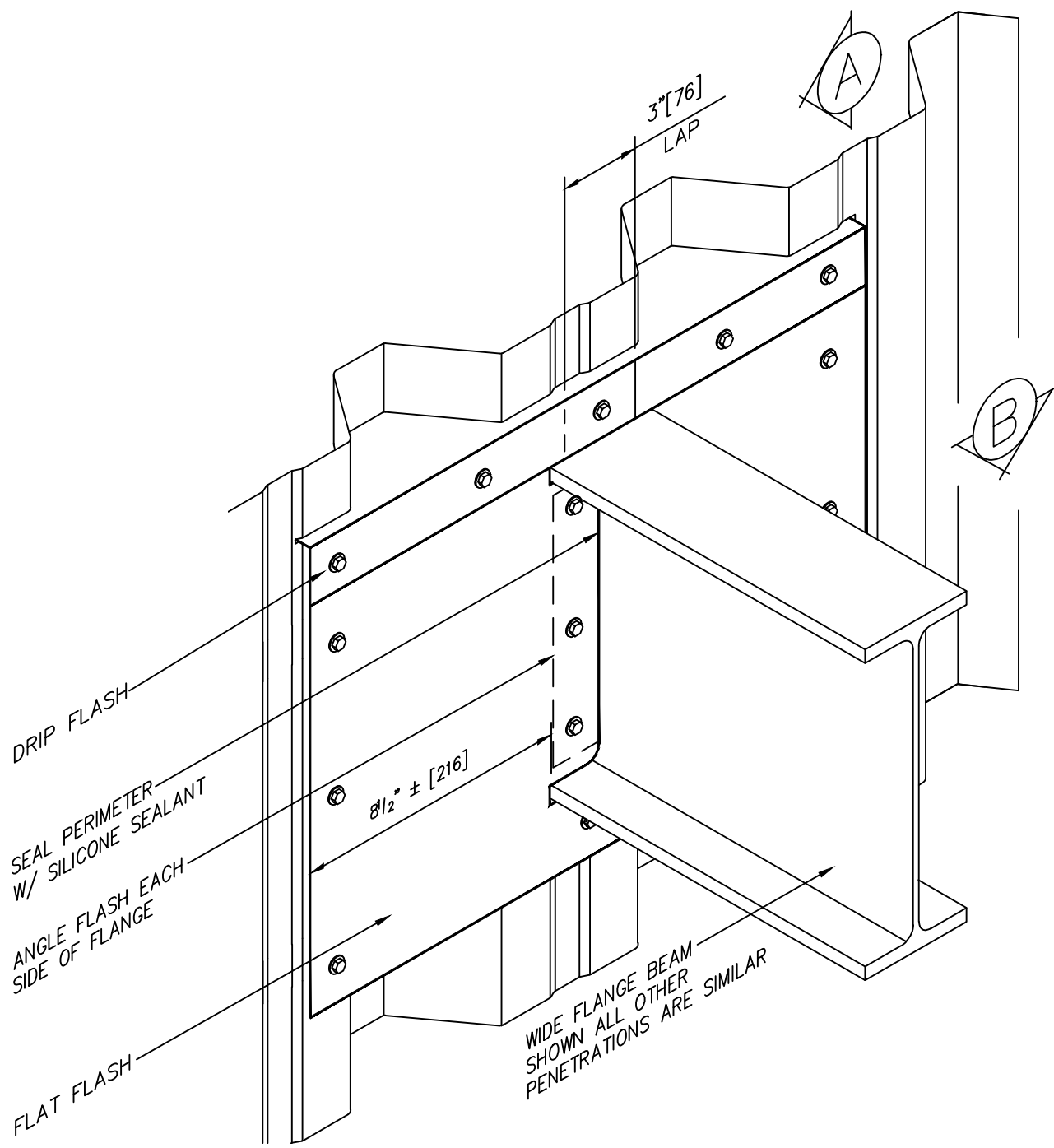


**OPTIONAL LOW CELL
DETAIL**



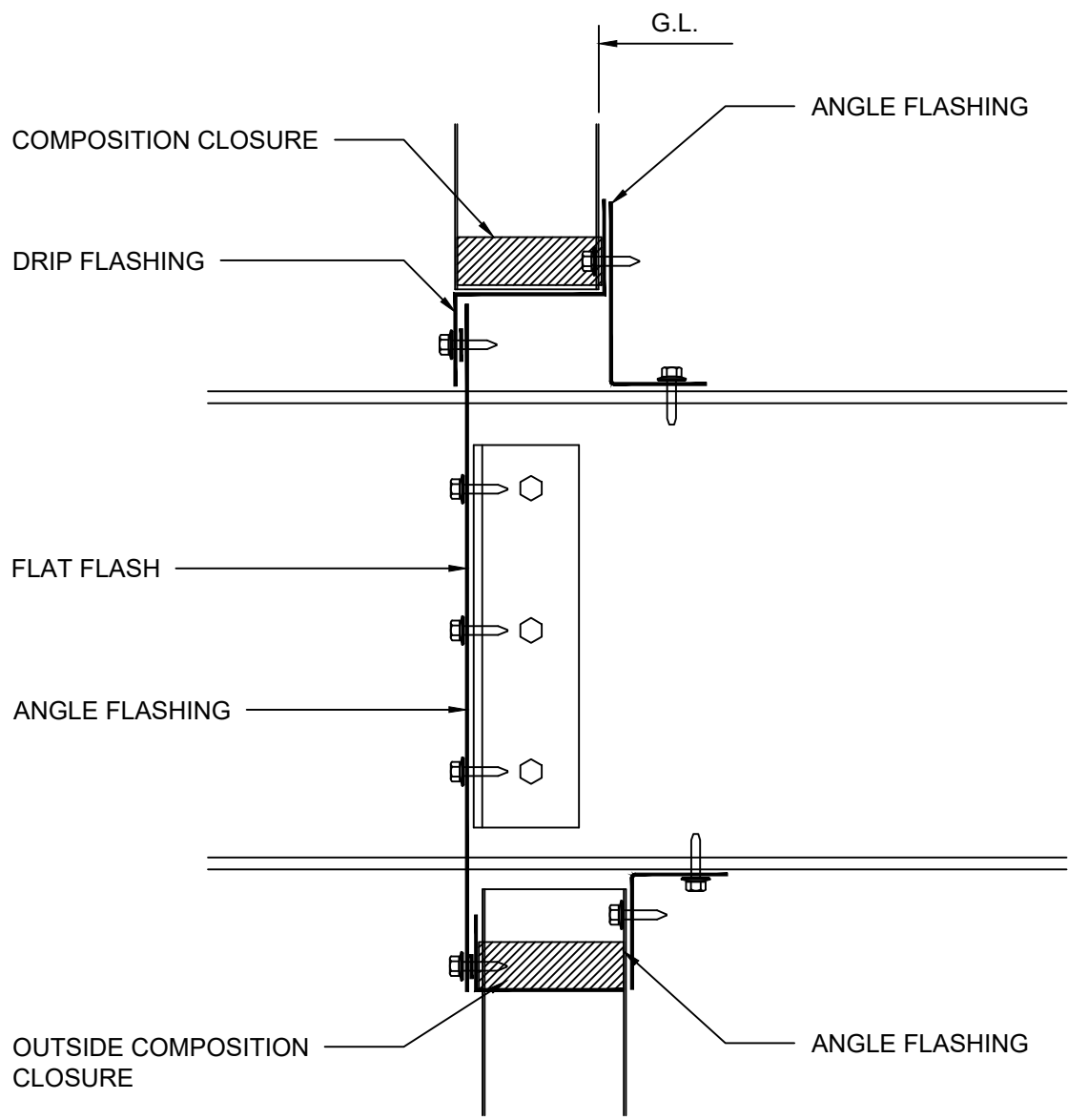
DETAIL 13
EXPANSION JOINT

***DETAILS SHOWN ARE FOR PROMOTIONAL USE ONLY.
THESE DETAILS SHOULD NOT FOR ANY REASON BE
USED FOR CONSTRUCTION PURPOSES.**



DETAIL 15
PENETRATION

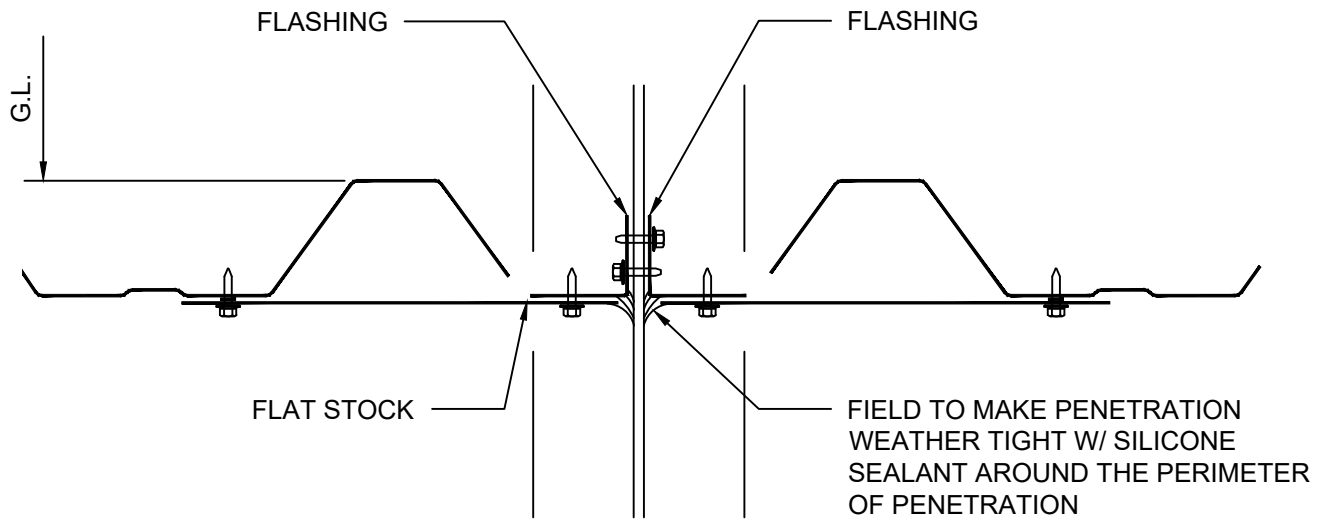
*DETAILS SHOWN ARE FOR PROMOTIONAL USE ONLY.
THESE DETAILS SHOULD NOT FOR ANY REASON BE
USED FOR CONSTRUCTION PURPOSES.



NOTE:
 OPTIONAL METAL CLOSURE
 AVAILABLE FOR AESTHETICS
 UPON REQUEST

DETAIL 15A
 PENETRATION
 (SECTION A-A)

***DETAILS SHOWN ARE FOR PROMOTIONAL USE ONLY.
 THESE DETAILS SHOULD NOT FOR ANY REASON BE
 USED FOR CONSTRUCTION PURPOSES.**



DETAIL 15B
PENETRATION
(SECTION B-B)

*DETAILS SHOWN ARE FOR PROMOTIONAL USE ONLY.
THESE DETAILS SHOULD NOT FOR ANY REASON BE
USED FOR CONSTRUCTION PURPOSES.